

Jacuzzi[®]

A square Jacuzzi hot tub is the central focus, situated on a rooftop deck. The tub is dark-colored with a light-colored interior and is illuminated from within, showing bubbling water. To the left, there are wooden steps leading up to the tub. To the right, a small, modern, metallic side table holds a stack of white towels. The deck is surrounded by lush greenery and flowers. In the background, a dense city skyline is visible under a twilight sky, with many buildings lit up. The overall atmosphere is serene and luxurious.

Dimension and
Specification Handbook

Important Safety Instructions-All Models



© 2026 Jacuzzi Hot Tubs. Jacuzzi may make product modifications and enhancements. Therefore, specifications may change without notice. Dimensions are approximate and for reference only.



CAUTION: ALWAYS MEASURE EACH SPA FOR EXACT DIMENSIONS BEFORE DESIGNING ITS FOUNDATIONAL SUPPORT AND/OR DECKING.



When designing a foundational support, always account for the following load factors (these calculations needed to be verified and approved by a Structural Engineer prior to installation)
Note: For spas that are to rest on balconies, roofs or other platforms not specifically tied into the main structural support, consult a professional Structural Engineer with experience in this type of application:

1. Filled hot tub weight, plus (+)
2. Combined occupant weight at maximum seating capacity, plus (+)
3. Weight of support decking, when applicable.



The technical data given in this publication is for reference only. It implies no warranty of kind.



Dimensions/Specifications subject to change without notice. Spa operation subject to change without notice.

Table of Contents

Jacuzzi J5™ Collection Hot Tubs	7
J509™ Specifications	7
J509 Operations	8
J509 Dimensions	9
J508L™ Specifications	10
J508L Operations	11
J508L Dimensions	12
J508™ Specifications	13
J508 Operations	14
J508 dimensions	15
Jacuzzi J4® Collection Hot Tubs	16
J408L™ Specifications	16
J408L Operations	17
J408L Dimensions	18
J408™ Specifications	19
J408 Operations	20
J408 Dimensions	21
J404L™ Specifications	22
J404L Operations	23
J404L Dimensions	24
Jacuzzi J-300™ Collection Hot Tubs	25
J-385™ Specifications	25
J-385 Operations	26
J-385 Dimensions	27
J-375™ Specifications	28
J-375 Operations	29
J-375 Dimensions	30
J-365™ Specifications	31
J-365 Operations	32
J-365 Dimensions	33

Table of Contents

J-355™ Specifications	34
J-355 Operations	35
J-355 Dimensions.....	36
J-345™ Specifications	37
J-345 Operations	38
J-345 Dimensions.....	39
J-335™ Specifications	40
J-335 Operations	41
J-335 Dimensions.....	42
J-325™ Specifications	43
J-325 Operations	44
J-325 Dimensions.....	45
J-315™ Specifications	46
J-315 Operations	47
J-315 Dimensions.....	48
Jacuzzi J-200™ Collection Hot Tubs	49
J-285™ Specifications	49
J-285 Operations	50
J-285 Dimensions.....	51
J-245™ Specifications	52
J-245 Operations	53
J-245 Dimensions.....	54
J-235™ Specifications	55
J-235 Operations	56
J-235 Dimensions.....	57
J-225™ Specifications	58
J-225 Operations	59
J-225 Dimensions.....	60

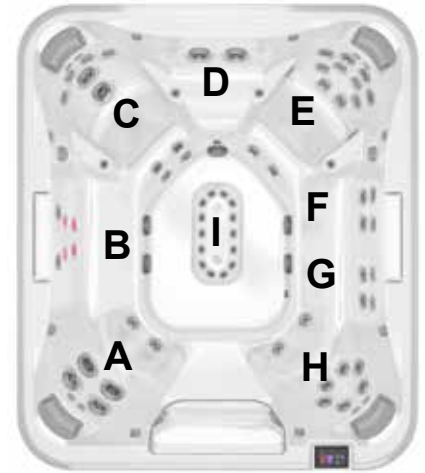
Table of Contents

J-215™ Specifications	61
J-215 Operations	62
J-215 Dimensions.....	63
Play™ Collection	64
Soul™ 30 Jets Square Lounge Specifications	64
Soul 30 Jets Square Lounge Operation/Seat Depths	65
Soul 30 Jets Square Lounge Portable Dimensions	66
Echo™ 30 Jets Square Specifications	67
Echo 30 Jets Square Operation/Seat Depths	68
Echo 30 Jets Square Portable Dimensions	69
Mood™ 20 Jets Rectangle Specifications.....	70
Mood 20 Jets Rectangle Operation/Seat Depths.....	71
Mood 20 Jets Rectangle Portable Dimensions.....	72
Complete Dimensions - J5™ Collection Models	73
Complete Dimensions - J4™ Collection Models	74
Complete Dimensions - J300™ Collection Models	75
Complete Dimensions - J200™ Collection Models	76v

Jacuzzi J509™

Specifications

Seating Capacity	8-9 Adults
Dimensions	94" x 110" x 37", (239 cm x 280 cm x 94 cm); For complete dimensions, See page 73
Dry Weight	1,275 lbs (578 kg)
Filled Weight (Average Fill)	5,487 lbs (2,489 kg)
Water Capacity (Average Fill)	505 US gallons (1,912 Liters)
Electronic Controls	ProTouch Plus™ control panel, custom and preset therapy modes, user interface displays temperature, time, cycles and fingertip jet control. Offers customizing of programmed filtration cycles, heating modes and water temperature setting. Auxiliary control panel offers jets pump, IR and red light therapy and lighting.
Pump 1	North America (60 Hz): 2-Speed, 5.1 HP break, 2.5 HP continuous, 56 Frame Export (50 Hz):..... 2-Speed, 2.0 HP continuous
Pump 2	North America (60 Hz): 2-Speed, 5.1 HP break, 2.5 HP continuous, 56 Frame Export (50 Hz):..... 2-Speed, 2.0 HP continuous
Pump 3	North America (60 Hz): 1-Speed, 5.1 HP break, 2.5 HP continuous, 56 Frame Export (50 Hz):..... 1-Speed, 2.0 HP continuous
Circulation Pump	Yes, 8-Hour
Total Jacuzzi® PowerPro® Jets	76 (plus 4 IR Therapy Lights)
Seat A Jets	2 Jacuzzi® PowerPro® NX, 2 Jacuzzi® PowerPro® FX Large Rotational, 2 Jacuzzi® PowerPro® MX
Seat B Jets	4 IR Therapy Lights
Seat C Jets	2 Jacuzzi® PowerPro® NX, 4 Jacuzzi® PowerPro® FX, 2 Jacuzzi® PowerPro® FX Large Rotational, 2 Jacuzzi® PowerPro® VX Rotational, 4 Jacuzzi® PowerPro® VX
Seat D Jets	2 Jacuzzi® PowerPro® FX Large Rotational
Seat E Jets	2 Jacuzzi® PowerPro® NX2, 4 Jacuzzi® PowerPro® FX Rotational, 4 Jacuzzi® PowerPro® FX, 2 Jacuzzi® PowerPro® VX, 2 Jacuzzi® PowerPro® VX Rotational
Seat F Jets	4 Jacuzzi® PowerPro® RX
Seat G Jets	2 Jacuzzi® PowerPro® NX, 2 Jacuzzi® PowerPro® FX
Seat H Jets	2 Jacuzzi® PowerPro® NX, 4 Jacuzzi® PowerPro® RX, 2 Jacuzzi® PowerPro® FX
Footwell (H)	14 Jacuzzi® PowerPro® VX Rotational
Massage Selectors	2
Air Controls	5, On/Off rocker switch air controller (equipped with an illuminated ring)
Water Management System	One ProClarity® Polishing filter cartridge on 8-hour circulation pump; Two ProClear® 50 ft² filter; One ProCatch Basket, One ProCatch Mesh filter; True Water® System Export (50 Hz):..... True Water® System
LED Lighting	Waterfall light, underwater, and motion sensor exterior lights
ProFinish™ Cabinet Colors	Flax and Noir
Acrylic Colors	Platinum, Silver Pearl, Midnight, Morning Mist, Canyon, Monaco (while quantities last)
Headrests	4
Waterfalls	Two with independent flow rate (on or off) adjustment; powered by 8-hour circulation pump
Heater:	North America (60 Hz): 5.5 kW, High Flow Export (50 Hz): High Flow, 2.7 kW
Electrical Requirements:	North America (60 Hz): 240 VAC@50A or 60A Export (50 Hz): 220-240 VAC@ 1x40A, 2x25A, 3x16A or suitably rated circuit breaker to comply with local electrical codes. Certain countries may require dual power inputs; two GFCI RCD breakers are required for this configuration.
Warranty*	North America (60 Hz): 10 Years Shell, 7 Years Shell Surface, 5 Years Plumbing Component Leaks, 5 Years Equipment and Controls, 5 Years Cabinet, 2 Years Jets, 2 Years Lights, 1 Year True Water® System, 1 Year Stereo; Export (50 Hz): 10 Years Shell, 7 Years Shell Surface, 5 Years Plumbing Component Leaks, 5 Years Equipment and Controls, 5 Years Cabinet, 2 Years Jets, 2 Years Lights, 2 Years Stereo, 1 Year True Water® System
Special Features (Standard)	SmartTub® Module Export (50 Hz) (Optional): SmartTub® Module
Audio System (Standard)	BLUEWAVE® Spa Stereo System with Bluetooth capability; 4 premium speakers, a powered subwoofer

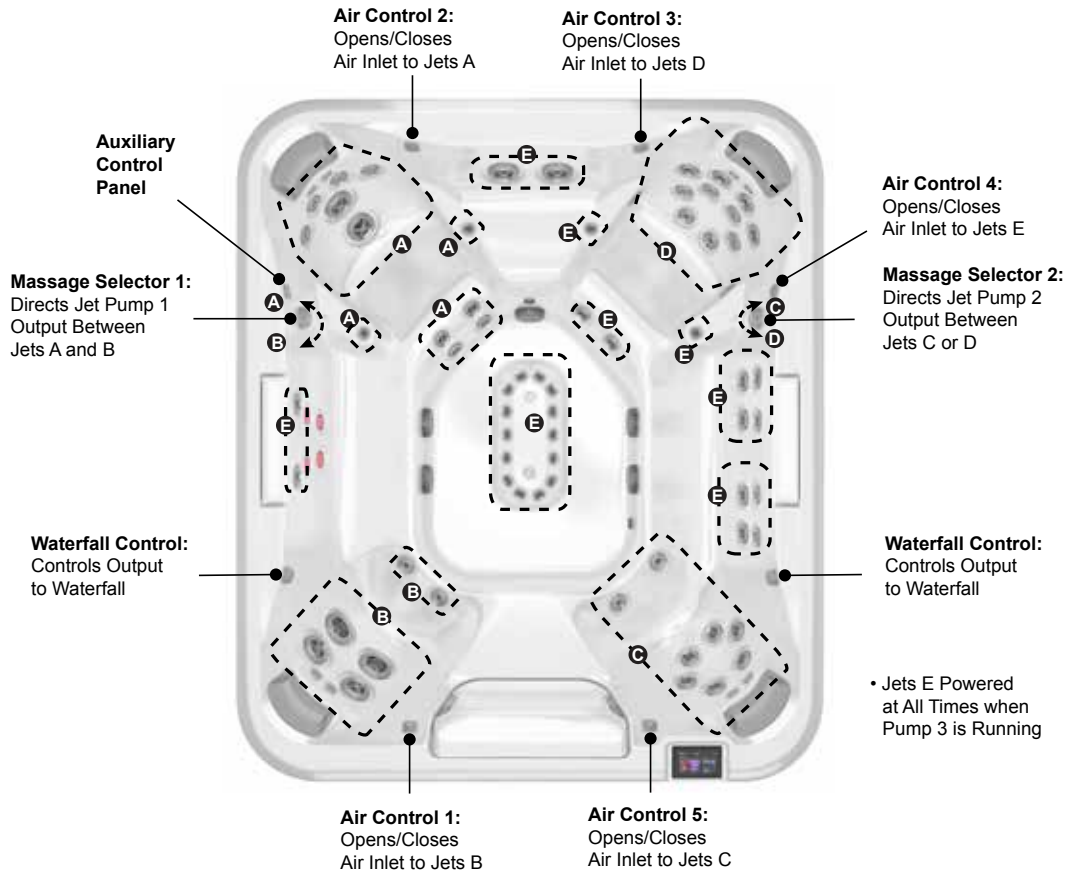


*(See Warranty Document for Specific Details)

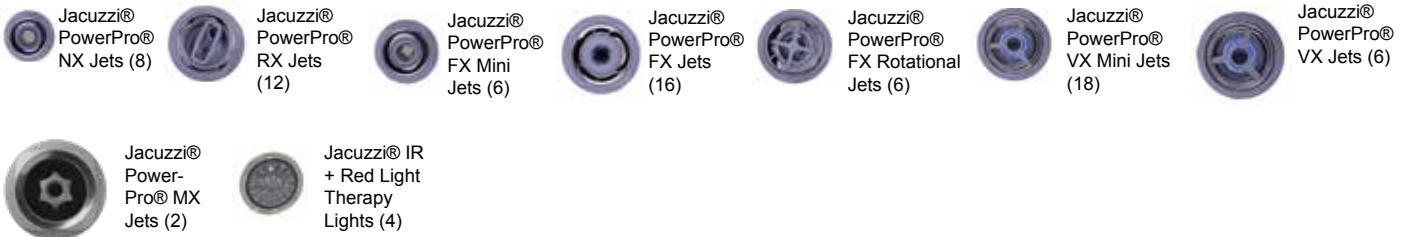
Dimensions/Specifications are Subject to Change Without Notice

Jacuzzi J509

Operation/Seat Depths



76 Total Jets (plus 4 IR Therapy Lights)



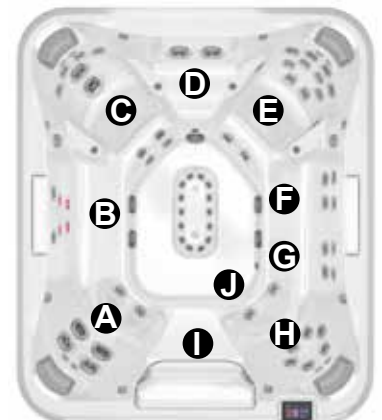
Spa Operation Subject to Change without Notice

Seat Depths

A = 27.13" (68.91 cm)
B = 22.25" (56.52 cm)
C = 27.38" (69.55 cm)
D = 17.38" (44.15 cm)
E = 27.63" (70.18 cm)
F = 25.00" (63.50 cm)

G = 25.00" (63.50 cm)
H = 27.00" (68.58 cm)
I = 17.75" (45.09 cm)
J = 32.00" (81.28 cm)

Listed dimensions represent distance from top of acrylic to lowest point in seat. **Tolerance ± 0.5" (1.27 cm).**

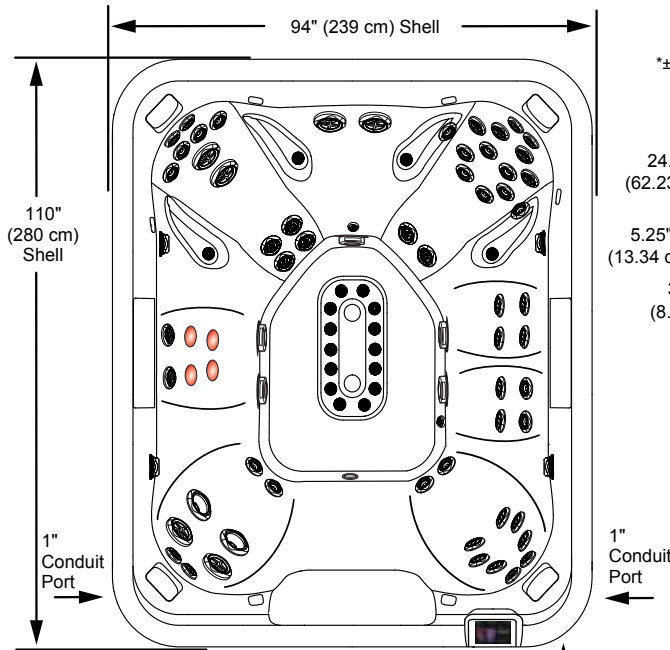


Dimensions/Specifications are Subject to Change Without Notice

Jacuzzi J509

Dimensions

TOP VIEW



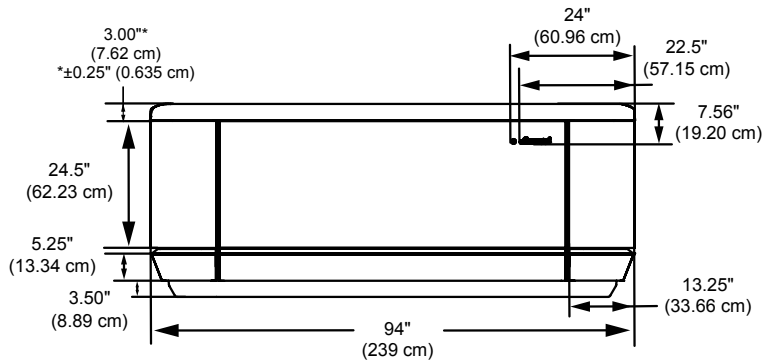
FRONT

Equipment Bay, Pump Access, Audio System, and SmartTub System located behind the cabinet

True™ Water Care System, Drain, Optional Spa Sense™, located behind corner cabinet

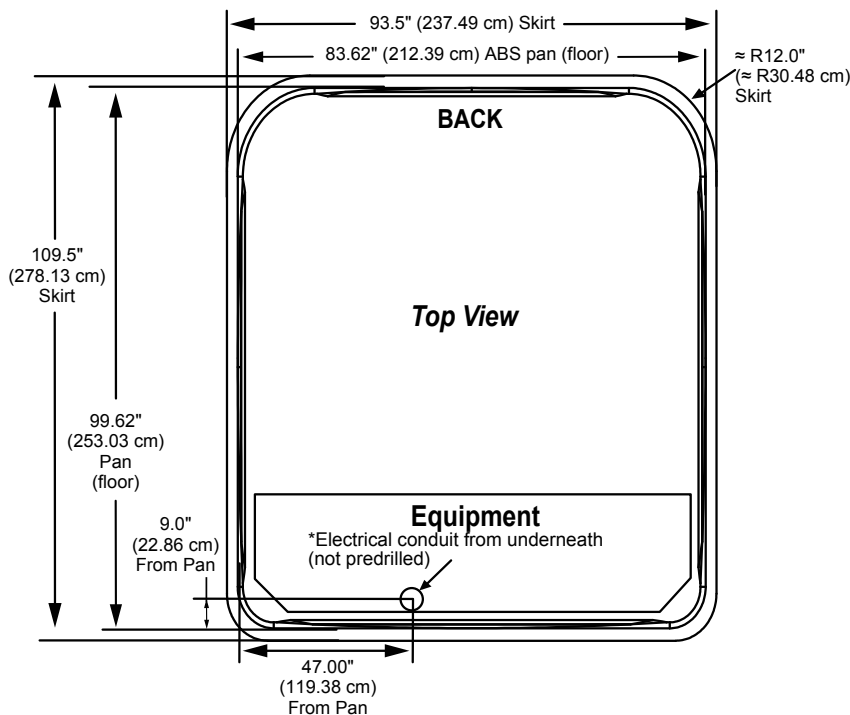
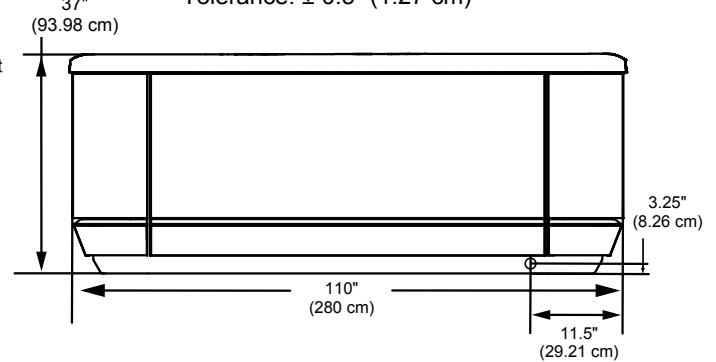
FRONT VIEW

Tolerance: ± 0.5" (1.27 cm)



LEFT SIDE VIEW

Tolerance: ± 0.5" (1.27 cm)



Dimensions/specifications subject to change without notice. Tolerance ±0.5" (1.27 cm)



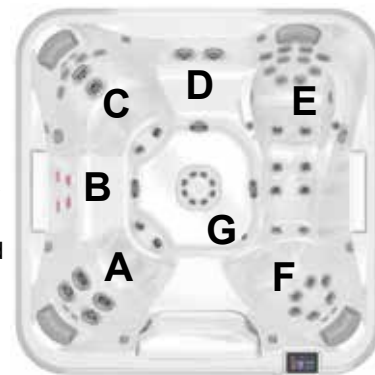
IMPORTANT! Always measure each hot tub for exact dimensions BEFORE designing its foundational support and/or decking.



Jacuzzi J508L™

Specifications

Seating Capacity	6-7 Adults
Dimensions	94" x 94" x 37", (239 cm x 239 cm x 94 cm); For Complete Dimensions, See page 73
Dry Weight	1,065 lbs (483 kg)
Filled Weight (Average Fill)	4,568 lbs (2,072 kg)
Water Capacity (Average Fill)	420 US gallons (1,590 Liters)
Electronic Controls	ProTouch Plus™ control panel, custom and preset therapy modes, user interface displays temperature, time, cycles and fingertip jet control. Offers customizing of programmed filtration cycles, heating modes and water temperature setting. Auxiliary control panel offers jets pump, IR and red light therapy and lighting.
Pump 1	North America (60 Hz): 2-Speed, 5.1 HP break, 2.5 HP continuous, 56 Frame Export (50 Hz):..... 2-Speed, 2.0 HP continuous
Pump 2	North America (60 Hz): 2-Speed, 5.1 HP break, 2.5 HP continuous, 56 Frame Export (50 Hz):..... 2-Speed, 2.0 HP continuous
Circulation Pump	Yes, 8-Hour
Total Jacuzzi® PowerPro® Jets	60 (plus 4 IR Therapy Lights)
Seat A Jets	2 Jacuzzi® PowerPro® NX, 2 Jacuzzi® PowerPro® FX Large Rotational, 2 Jacuzzi® PowerPro® MX, 2 Jacuzzi® PowerPro® VX
Seat B Jets	4 IR Therapy Lights
Seat C Jets	2 Jacuzzi® PowerPro® NX, 4 Jacuzzi® PowerPro® FX, 2 Jacuzzi® PowerPro® VX Rotational, 2 Jacuzzi® PowerPro® FX Large Rotational, 2 Jacuzzi® PowerPro® VX
Seat D Jets	2 Jacuzzi® PowerPro® FX Large Rotational
Seat E	2 Jacuzzi® PowerPro® NX, 6 Jacuzzi® PowerPro® FX, 8 Jacuzzi® PowerPro® VX, 2 Jacuzzi® PowerPro® VX Rotational
Seat F Jet	2 Jacuzzi® PowerPro® NX, 6 Jacuzzi® PowerPro® RX
Footwell (G)	8 Jacuzzi® PowerPro® VX Rotational
Massage Selectors	2
Air Controls	4, On/Off rocker switch air controller (equipped with an illuminated ring)
Water Management System	One ProClarity® Polishing filter cartridge on 8-hour circulation pump; Two ProClear® 50 ft² filter; One ProCatch Basket, One ProCatch Mesh filter; True Water® System Export (50 Hz):..... True Water® System
LED Lighting	Waterfall light, underwater, and motion sensor exterior lights (standard)
ProFinish™ Cabinet Colors	Flax and Noir
Acrylic Colors	Platinum, Silver Pearl, Midnight, Morning Mist, Canyon, Monaco (while quantities last)
Headrests	4
Waterfall	Two with independent flow rate (on or off) adjustment; powered by 8-hour circulation pump
Heater:	North America (60 Hz): 5.5 kW, High Flow Export (50 Hz): High Flow, 2.7 kW
Electrical Requirements:	North America (60 Hz): 240 VAC@40A, 50A, or 60A Export (50 Hz): 220-240 VAC@ 1x32A, 2x16A, 3x16A or suitably rated circuit breaker to comply with local electrical codes. Certain countries may require dual power inputs; two GFCI RCD breakers are required for this configuration.
Warranty*	North America (60 Hz): 10 Years Shell, 7 Years Shell Surface, 5 Years Plumbing Component Leaks, 5 Years Equipment and Controls, 5 Years Cabinet, 2 Years Jets, 2 Years Lights, 1 Year True Water® System, 1 Year Stereo; Export (50 Hz): 10 Years Shell, 7 Years Shell Surface, 5 Years Plumbing Component Leaks, 5 Years Equipment and Controls, 5 Years Cabinet, 2 Years Jets, 2 Years Lights, 2 Years Stereo, 1 Year True Water® System
Special Features (Standard)	SmartTub® Module Export (50 Hz) (Optional): SmartTub® Module
Audio System (Standard)	BLUEWAVE® Spa Stereo System with Bluetooth capability; 4 premium speakers, a powered subwoofer

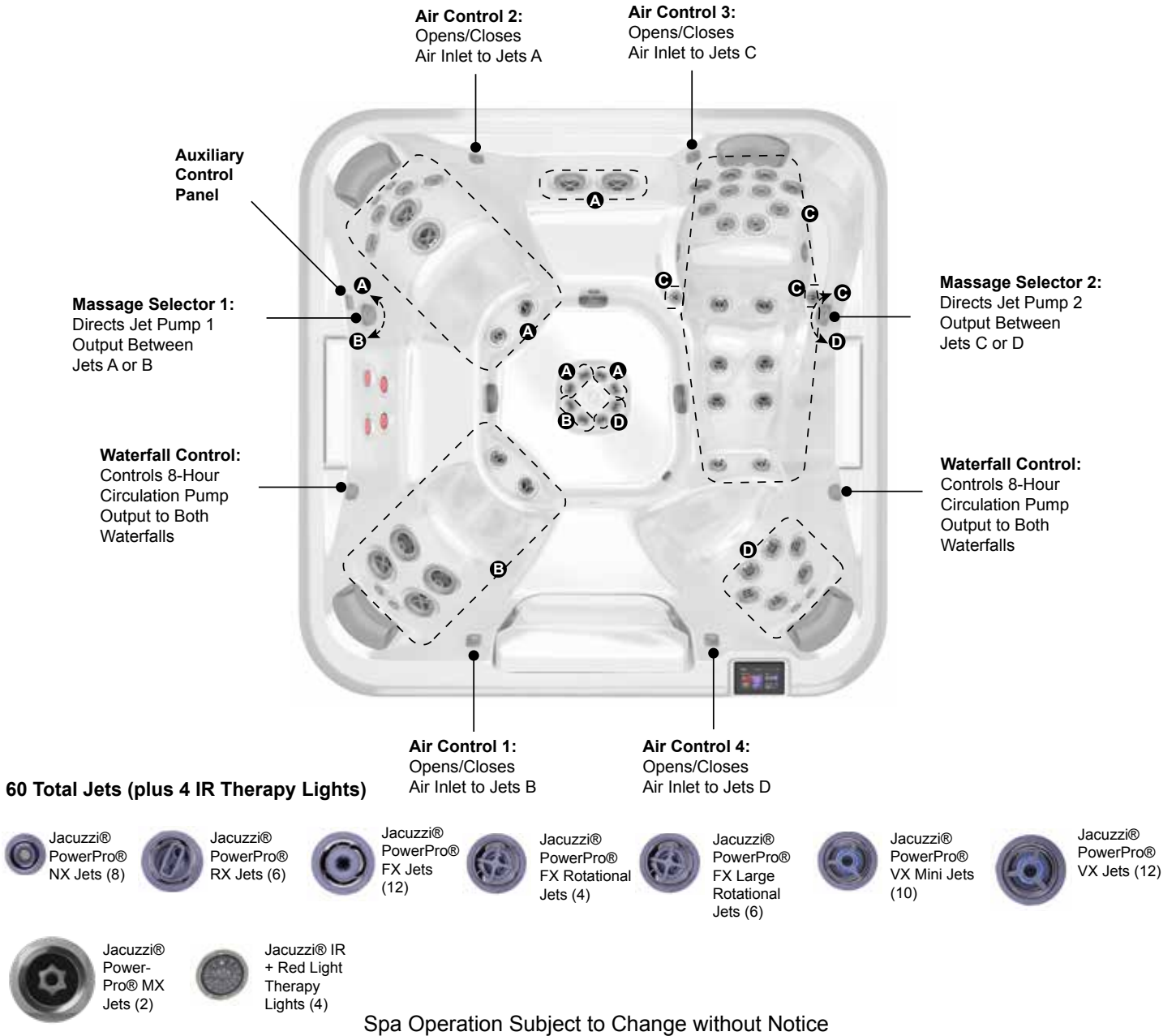


*(See Warranty Document for Specific Details)

Dimensions/Specifications are Subject to Change Without Notice

Jacuzzi J508L

Operation/Seat Depths



Seat Depths

A = 27.00" (68.58 cm)
B = 22.25" (56.52 cm)
C = 27.88" (70.82 cm)
D = 17.63" (44.78 cm)
E = 27.50" (69.85 cm)

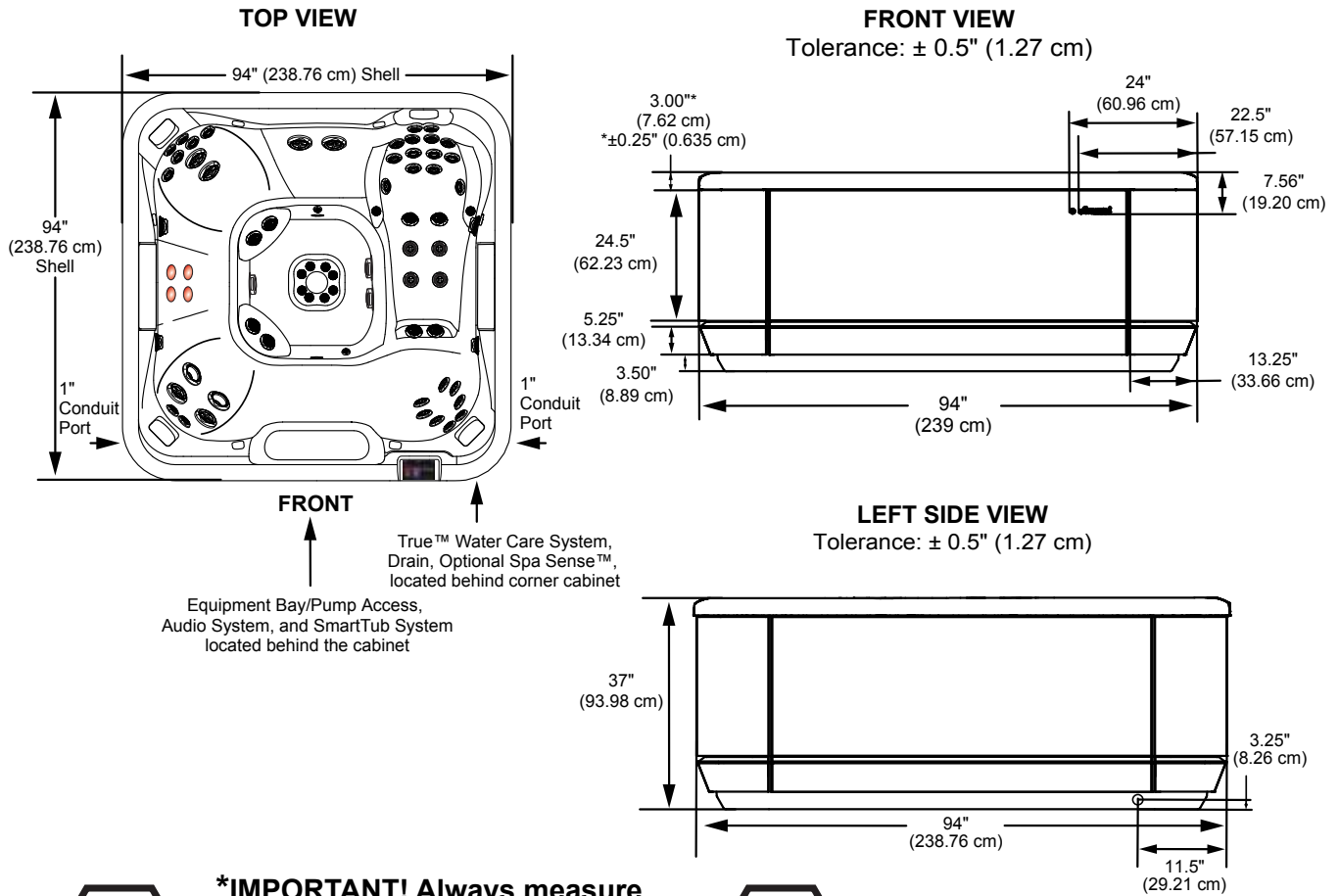
F = 28.38" (72.09 cm)
G = 27.25" (69.22 cm)
H = 17.63" (44.78 cm)
I = 32.25" (81.92 cm)

Listed dimensions represent distance from top of acrylic to lowest point in seat.
Tolerance ± 0.5" (1.27 cm).

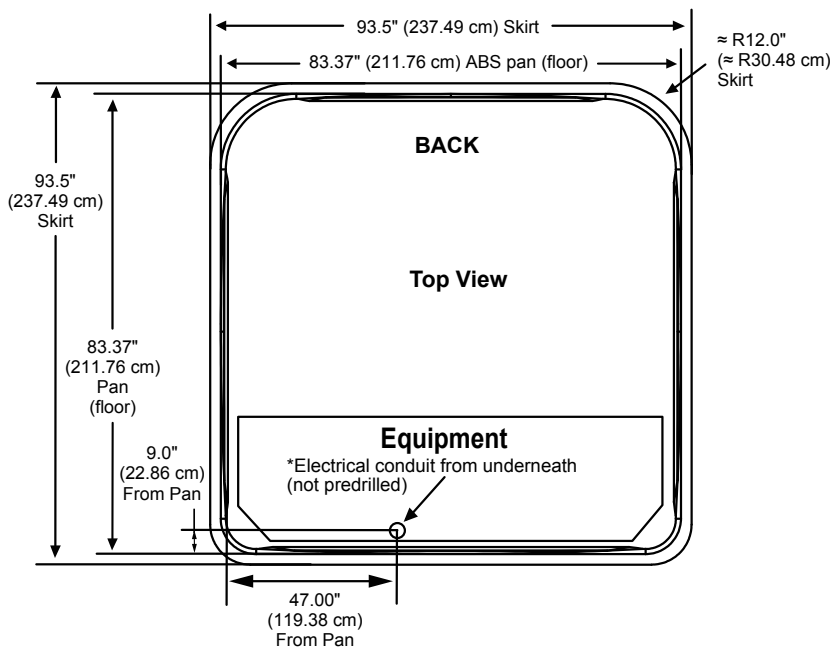


Jacuzzi J508L

Dimensions



***IMPORTANT! Always measure each hot tub for exact dimensions BEFORE designing its foundational support and/or decking.**



Dimensions/specifications subject to change without notice. Tolerance $\pm 0.5"$ (1.27 cm)

Jacuzzi J508™

Specifications

Seating Capacity	7-8 Adults
Dimensions	94" x 94" x 37" (239 cm x 239 cm x 94 cm); For complete dimensions, See page 73
Dry Weight	1,045 lbs (474 kg)
Filled Weight (Average Fill)	4,590 lbs (2,082 kg)
Water Capacity (Average Fill)	425 US gallons (1,609 Liters)
Electronic Controls	ProTouch Plus™ control panel, custom and preset therapy modes, user interface displays temperature, time, cycles and fingertip jet control. Offers customizing of programmed filtration cycles, heating modes and water temperature setting. Auxiliary control panel offers jets pump, IR and red light therapy and lighting.
Pump 1	North America (60 Hz): 2-Speed, 5.1 HP break, 2.5 HP continuous, 56 Frame
Export (50 Hz):	N/A
Pump 2	North America (60 Hz): 2-Speed, 5.1 HP break, 2.5 HP continuous, 56 Frame
Export (50 Hz):	N/A
Circulation Pump	Yes, 8-Hour
Total Jacuzzi® PowerPro® Jets	56 (plus 4 IR Therapy Lights)
Seat A Jets	2 Jacuzzi® PowerPro® NX, 2 Jacuzzi® PowerPro® FX Large Rotational, 2 Jacuzzi® PowerPro® MX, 2 Jacuzzi® PowerPro® VX Rotational
Seat B Jets	4 IR Therapy Lights
Seat C Jets	2 Jacuzzi® PowerPro® NX, 4 Jacuzzi® PowerPro® FX, 2 Jacuzzi® PowerPro® FX Large Rotational, 2 Jacuzzi® PowerPro® VX, 2 Jacuzzi® PowerPro® VX Rotational
Seat D Jets	2 Jacuzzi® PowerPro® FX Large Rotational
Seat E Jets	2 Jacuzzi® PowerPro® NX, 4 Jacuzzi® PowerPro® FX Rotational, 6 Jacuzzi® PowerPro® FX, 4 Jacuzzi® PowerPro® VX Rotational, 2 Jacuzzi® PowerPro® VX
Seat F Jets	2 Jacuzzi® PowerPro® FX, 2 Jacuzzi® PowerPro® RX
Seat G Jets	2 Jacuzzi® PowerPro® NX, 6 Jacuzzi® PowerPro® RX, 2 Jacuzzi® PowerPro® VX Rotational
Massage Selectors	2
Air Controls	4, On/Off rocker switch air controller (equipped with an illuminated ring)
Water Management System	One ProClarity® Polishing filter cartridge on 8-hour circulation pump; Two ProClear® 50 ft ² filter; One ProCatch Basket, One ProCatch Mesh filter; True Water® System
Export (50 Hz):	N/A
LED Lighting	Waterfall light, underwater, and motion sensor exterior lights
ProFinish™ Cabinet Colors	Flax and Noir
Acrylic Colors	Platinum, Silver Pearl, Midnight, Morning Mist, Canyon, Monaco (while quantities last)
Headrests	4
Waterfall	Two with independent flow rate (on or off) adjustment; powered by 8-hour circulation pump
Heater:	North America (60 Hz): 5.5 kW, High Flow
Export (50 Hz):	N/A
Electrical Requirements:	North America (60 Hz): 240 VAC@40A, 50A, or 60A
Export (50 Hz):	N/A
Warranty*	North America (60 Hz): 10 Years Shell, 7 Years Shell Surface, 5 Years Plumbing Component Leaks, 5 Years Equipment and Controls, 5 Years Cabinet, 2 Years Jets, 2 Years Lights, 1 Year True Water® System, 1 Year Stereo;
Export (50 Hz):	N/A
Special Features (Standard)	SmartTub® Module
Audio System (Standard)	BLUEWAVE® Spa Stereo System with Bluetooth capability; 4 premium speakers, a powered subwoofer

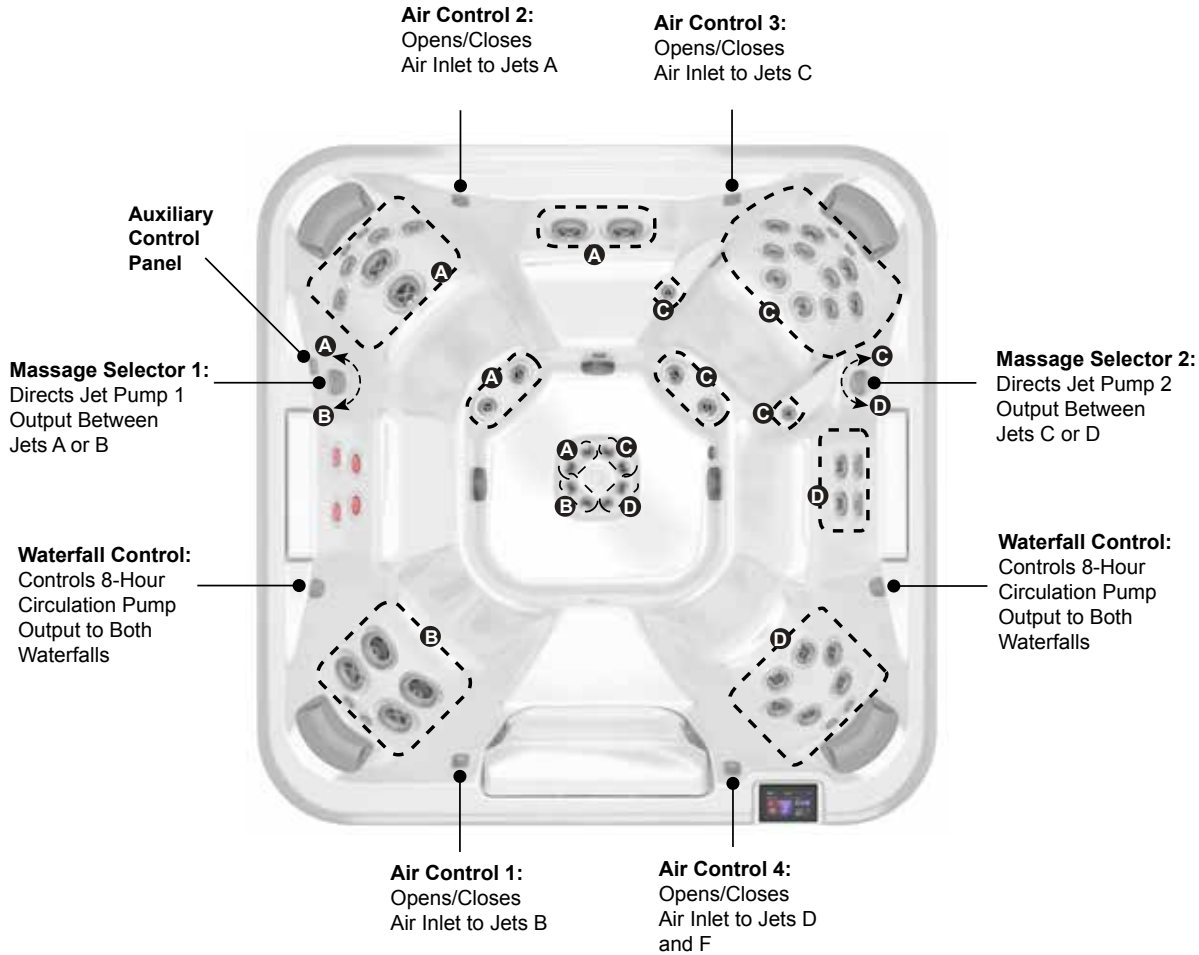


*(See Warranty Document for Specific Details)

Dimensions/Specifications are Subject to Change Without Notice

Jacuzzi J508

Operation/Seat Depths



56 Total Jets (plus 4 IR Therapy Lights)



Spa Operation Subject to Change without Notice

Seat Depths

A = 27.00" (68.58 cm)
B = 27.25" (69.22 cm)
C = 27.75" (70.49 cm)
D = 17.38" (44.15 cm)
E = 27.50" (69.85 cm)

F = 25.00" (63.50 cm)
G = 26.75" (67.95 cm)
H = 17.38" (44.15 cm)
I = 31.75" (80.65 cm)

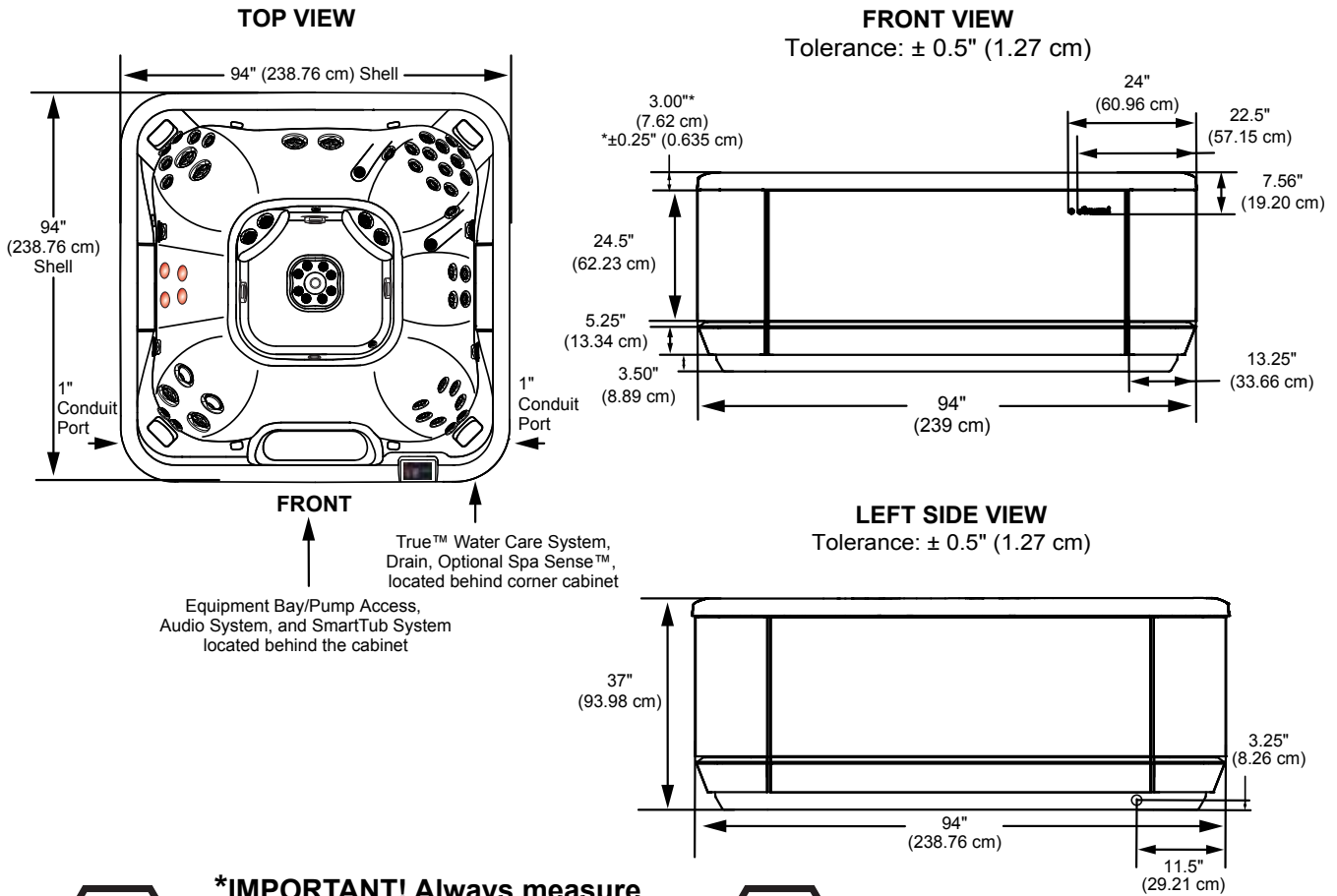
Listed dimensions represent distance from top of acrylic to lowest point in seat.
Tolerance ± 0.5" (1.27 cm).



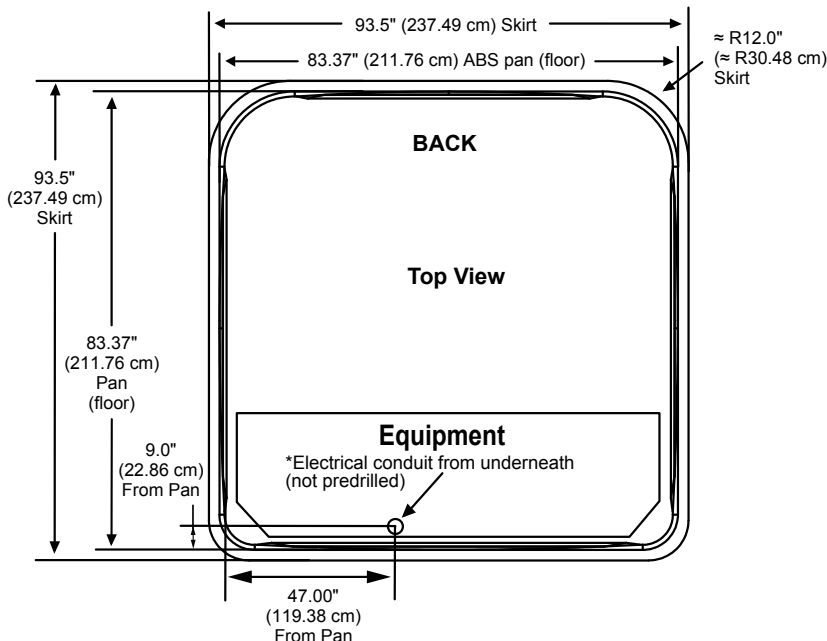
Dimensions/Specifications are Subject to Change Without Notice

Jacuzzi J508

Dimensions



***IMPORTANT! Always measure each hot tub for exact dimensions BEFORE designing its foundational support and/or decking.**



Dimensions/specifications subject to change without notice. Tolerance $\pm 0.5"$ (1.27 cm)

Jacuzzi J408L™

Specifications

Seating Capacity.....	5-6
Dimensions	89" x 89" x 34" (227 cm x 227 cm x 87 cm); For complete dimensions, see page 74
Dry Weight.....	914 lbs (415 kg)
Filled Weight (Average Fill).....	3,625 lbs (1,645 kg)
Water Capacity (Average Fill).....	325 US gallons (1,231 Liters)
Electronic Controls	Solid state electronic touchscreen controls, programmable temperature, filtration, and heat cycles
Pump 1.....	North America (60 Hz): 1-Speed, 5.1 HP brake, 2.5 HP continuous, 56 Frame Export (50 Hz):1-Speed, 2.0 HP continuous
Pump 2.....	North America (60 Hz): 1-Speed, 5.1 HP brake, 2.5 HP continuous, 56 Frame Export (50 Hz):1-Speed, 2.0 HP continuous
Circulation Pump.....	Yes, 8-hour
Total Jacuzzi® PowerPro® Jets	39 (Plus 2 IR Therapy Lights)
Seat A Jets	2 Jacuzzi® PowerPro® NX2, 2 Jacuzzi® PowerPro® RX, 2 Jacuzzi® PowerPro® FX Large Rotational, 2 Jacuzzi® PowerPro® FX Rotational, 6 Jacuzzi® PowerPro® FX
Seat B Jets	4 Jacuzzi® PowerPro® RX
Seat C Jets	2 Jacuzzi® PowerPro® NX2, 7 Jacuzzi® PowerPro® FX, 2 IR Therapy Lights
Seat D Jets	2 Jacuzzi® PowerPro® FX Rotational
Seat E Jets	2 Jacuzzi® PowerPro® FX Large Rotational, 2 Jacuzzi® PowerPro® MX, 2 Jacuzzi® PowerPro® FX
Seat F Jets.....	2 Jacuzzi® PowerPro® NX2
Footwell (G).....	2 Jacuzzi® PowerPro® MX
Massage Selector	1
Air Controls.....	3, On/Off rocker switch air controller
Water Management System.....	One ProClarity® 40 ft² filter cartridge and 1 ProClarity® depth load filter on 8-hour circulation pump; one ProCatch® bag with ProClear® 60 ft² filter; True Water® System Export (50 Hz):.....True Water® System
LED Lighting	Two underwater light with 4 color modes, waterfall lights, exterior corner lights
Cabinet	Modern Hardwood, Brushed Gray, Smoked Ebony
Acrylic Colors	Platinum, Porcelain
Headrests	3
Waterfalls	One; Independent flow rate (on or off) adjustment powered by Circulation Pump
Heater:.....	North America (60 Hz): 5.5 kW, High Flow Export (50 Hz):High Flow, 2.7 kW
Electrical Requirements:	North America (60 Hz): 240 VAC@40A, 50A, or 60A Export (50 Hz): 220-240 VAC@1x32A, 1x20A/1x16A, or 3x16A, or suitably rated circuit breaker to comply with local electrical codes. Certain countries may require dual power inputs; two GFCI RCD breakers are required for this configuration.
Warranty*.....	North America (60 Hz): 10 Years Shell, 7 Years Shell Surface, 5 Years Plumbing Component Leaks, 5 Years Equipment and Controls, 5 Years Cabinet, 2 Years Jets, 2 Years Lights, 1 Year True Water® System; Export (50 Hz): 10 Years Shell, 7 Years Shell Surface, 5 Years Plumbing Component Leaks, 5 Years Equipment and Controls, 5 Years Cabinet, 2 Years Jets, 2 Years Lights, 1 Year True Water® System
Special Features (Standard).....	SmartTub® Module Export (50 Hz) (Optional): .SmartTub® Module
Audio System (Optional).....	N/A

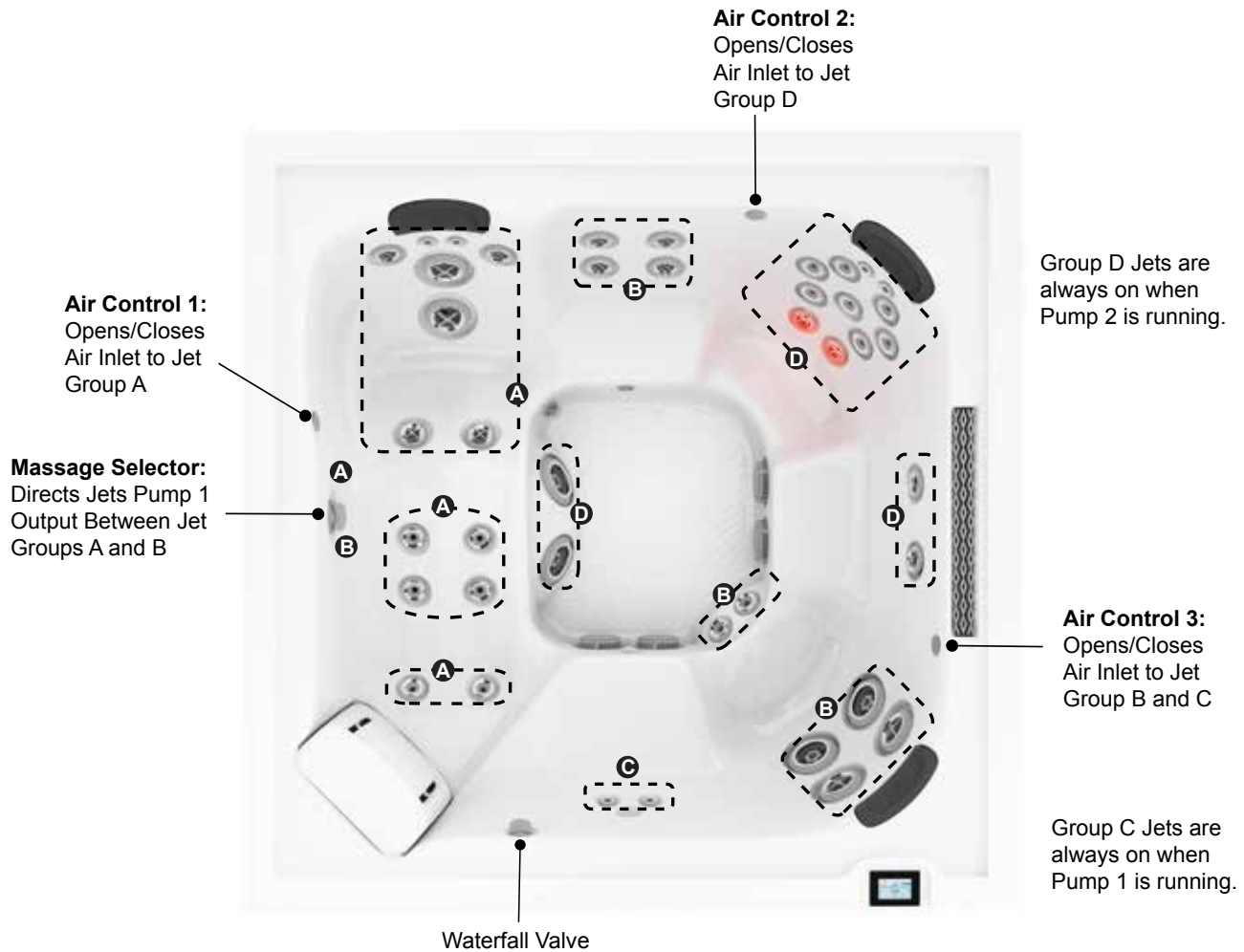


*(See Warranty Document for Specific Details)

Dimensions/Specifications are Subject to Change Without Notice

Jacuzzi J408L

Operation/Seat Depths



39 Total Jets (plus 2 IR Therapy Lights)



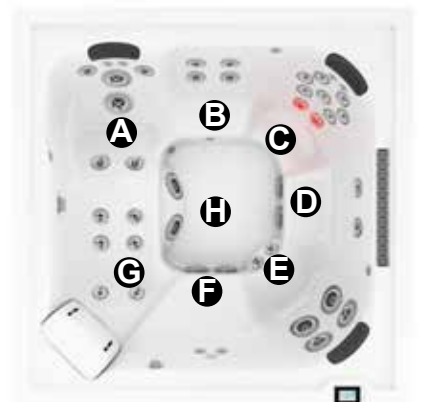
Spa Operation Subject to Change without Notice

Seat Depths

A = 25.00" (63.50 cm)
B = 22.00" (55.88 cm)
C = 27.00" (68.58 cm)
D = 20.88" (53.02 cm)
E = 26.25" (66.68 cm)

F = 18.38" (46.67 cm)
G = 24.25" (61.60 cm)
H = 31.00" (78.74 cm)

Listed dimensions represent distance from top of the deck to lowest point in seat. Tolerance $\pm 0.5"$ (1.27 cm).

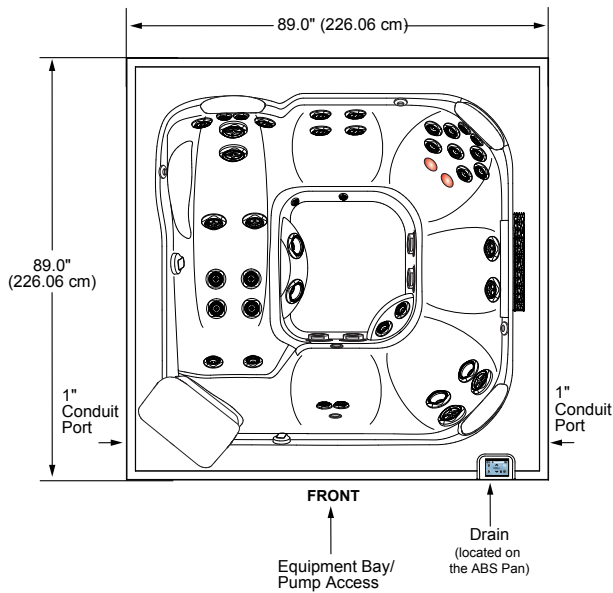


Dimensions/Specifications are Subject to Change Without Notice

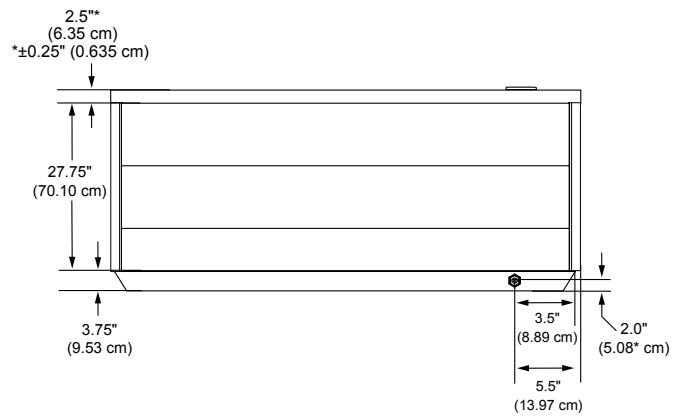
Jacuzzi J408L

Dimensions

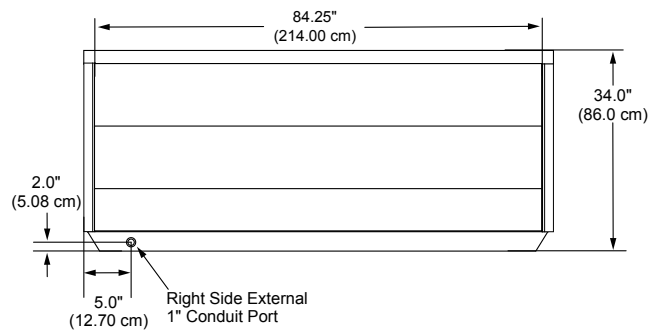
TOP VIEW



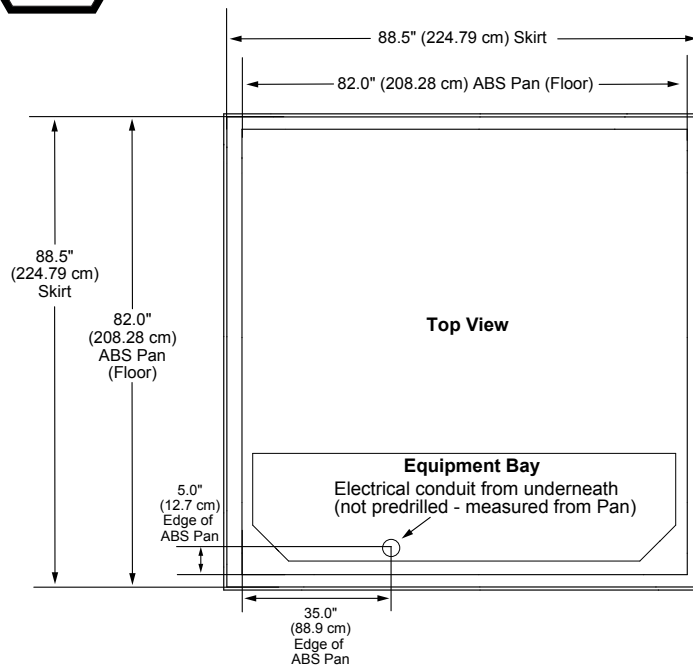
FRONT/BACK SIDE VIEW



RIGHT SIDE VIEW



IMPORTANT! Always measure each hot tub for exact dimensions BEFORE designing its foundational support and/or decking.



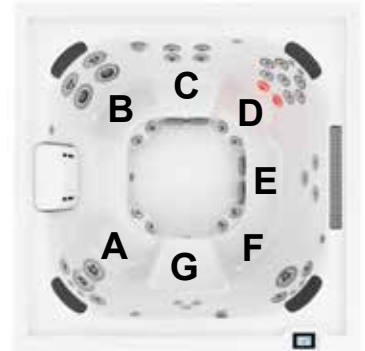
Dimensions/specifications subject to change without notice. Tolerance: ± 0.5" (1.27 cm)

Dimensions/specifications subject to change without notice. Tolerance ±0.5" (1.27 cm)

Jacuzzi J408™

Specifications

Seating Capacity	6-7
Dimensions	89" x 89" x 34" (227 cm x 227 cm x 87 cm); For complete dimensions, see page 74
Dry Weight	855 lbs (388 kg)
Filled Weight (Average Fill)	3,566 lbs (1,618 kg)
Water Capacity (Average Fill)	325 US gallons (1,231 Liters)
Electronic Controls	Solid state electronic touchscreen controls, programmable temperature, filtration, and heat cycles
Pump 1	North America (60 Hz): 1-Speed, 5.1 HP brake, 2.5 HP continuous, 56 Frame
Export (50 Hz):	N/A
Pump 2	North America (60 Hz): 1-Speed, 5.1 HP brake, 2.5 HP continuous, 56 Frame
Export (50 Hz):	N/A
Circulation Pump	Yes, 8-hour
Total Jacuzzi® PowerPro® Jets	41 (plus 2 IR Therapy Lights)
Seat A Jets	2 Jacuzzi® PowerPro® NX2, 2 Jacuzzi® PowerPro® RX, 2 Jacuzzi® PowerPro® FX Large Rotational, 2 Jacuzzi® PowerPro® FX
Seat B Jets	2 Jacuzzi® PowerPro® FX Large Rotational, 2 Jacuzzi® PowerPro® MX, 2 Jacuzzi® PowerPro® FX
Seat C Jets	4 Jacuzzi® PowerPro® RX
Seat D Jets	2 Jacuzzi® PowerPro® NX2, 9 Jacuzzi® PowerPro® FX, 2 IR Therapy Lights
Seat E Jets	3 Jacuzzi® PowerPro® FX
Seat F Jets	2 Jacuzzi® PowerPro® NX2, 2 Jacuzzi® PowerPro® RX, 1 Jacuzzi® PowerPro® FX Large Rotational, 2 Jacuzzi® PowerPro® FX
Seat G Jets	2 Jacuzzi® PowerPro® NX2
Massage Selector	1
Air Controls	4, On/Off rocker switch air controller
Water Management System	One ProClarity® 40 ft² filter cartridge and 1 ProClarity® depth load filter on 8-hour circulation pump; one ProCatch® bag with ProClear® 60 ft² filter; True Water® System
Export (50 Hz):	N/A
LED Lighting	Two underwater light with 4 color modes, waterfall lights, exterior corner lights
Cabinet	Modern Hardwood, Brushed Gray, Smoked Ebony
Acrylic Colors	Platinum, Porcelain
Headrests	4
Waterfalls	One; Independent flow rate (on or off) adjustment powered by Circulation Pump
Heater:	North America (60 Hz): 5.5 kW, High Flow
Export (50 Hz):	N/A
Electrical Requirements:	North America (60 Hz): 240 VAC@40A, 50A, or 60A Export (50 Hz): N/A
Warranty*	North America (60 Hz): 10 Years Shell, 7 Years Shell Surface, 5 Years for Plumbing Component Leaks, 5 Years Equipment and Controls, 5 Years Cabinet, 2 Years Jets, 2 Years Lights, 1 Year True Water® System; Export (50 Hz): N/A
Special Feature (Standard)	SmartTub® Module
Audio System (Optional)	N/A

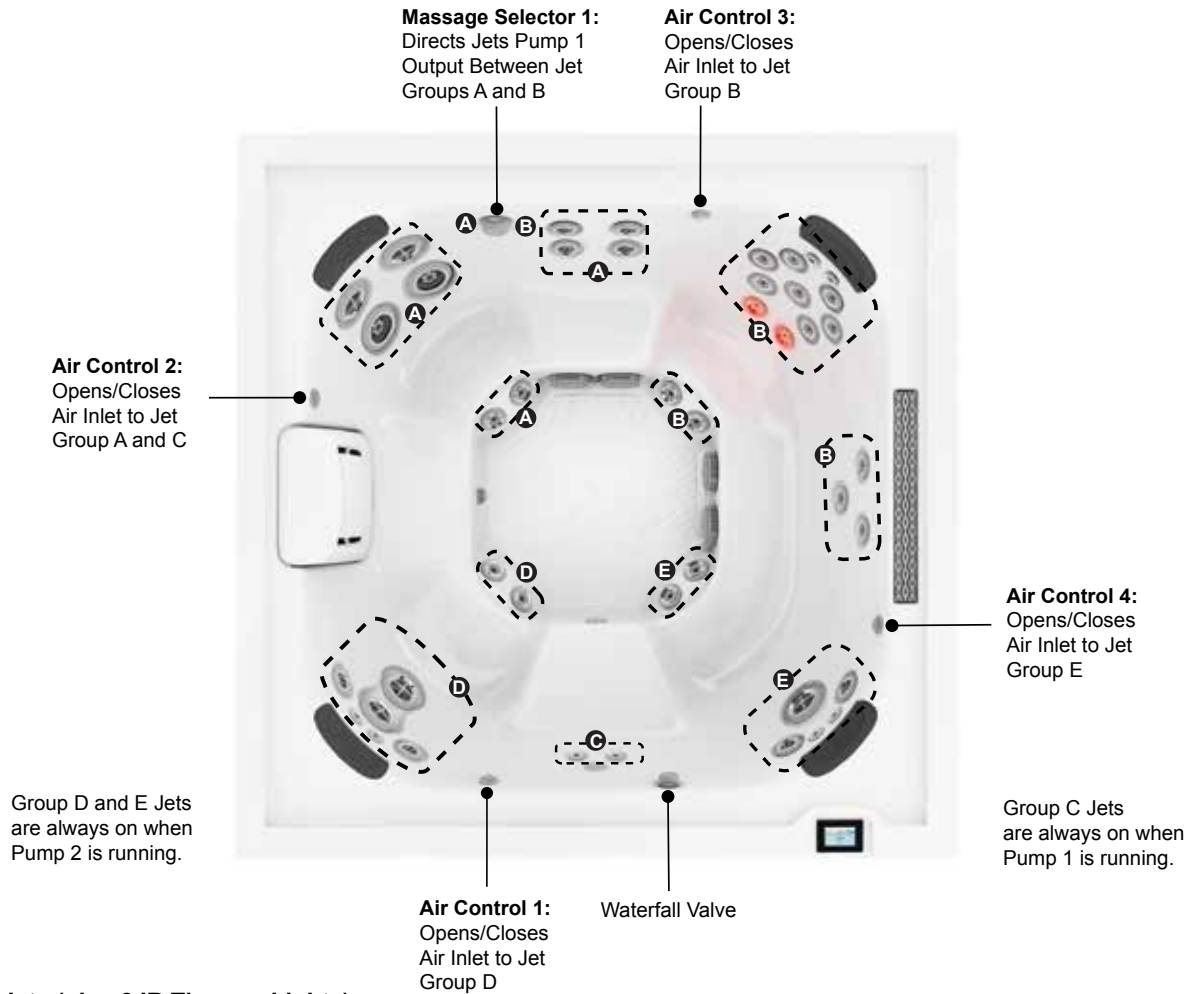


*(See Warranty Document for Specific Details)

Dimensions/Specifications are Subject to Change Without Notice

Jacuzzi J408

Operation/Seat Depths



41 Total Jets (plus 2 IR Therapy Lights)

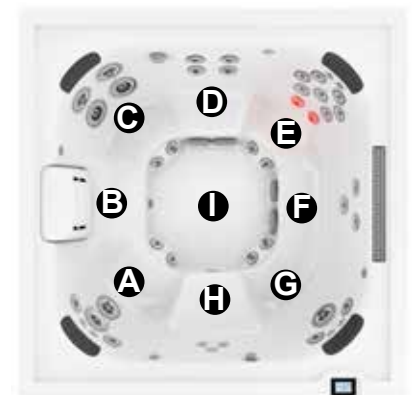


Spa Operation Subject to Change without Notice

Seat Depths

- | | |
|------------------------------|------------------------------|
| A = 24.25" (61.60 cm) | F = 25.00" (63.50 cm) |
| B = 21.13" (53.66 cm) | G = 26.31" (66.83 cm) |
| C = 26.13" (66.36 cm) | H = 18.00" (45.72 cm) |
| D = 20.50" (52.07 cm) | I = 31.00" (78.74 cm) |
| E = 26.81" (68.10 cm) | |

Listed dimensions represent distance from top of the deck to lowest point in seat. Tolerance $\pm 0.5"$ (1.27 cm).

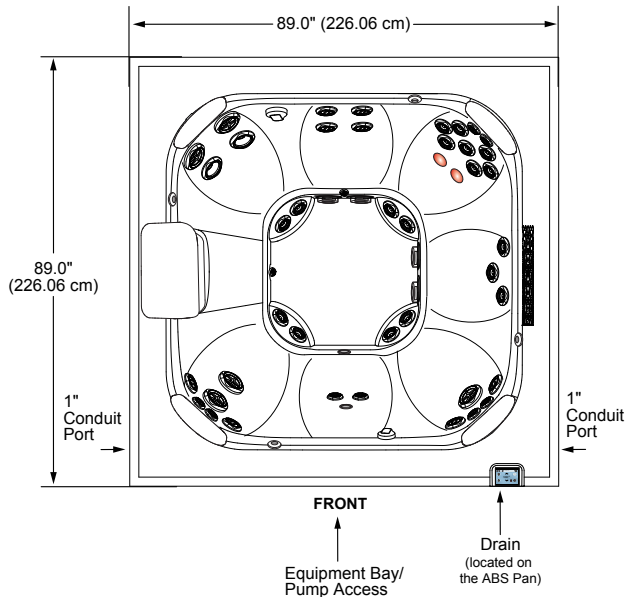


Dimensions/Specifications are Subject to Change Without Notice

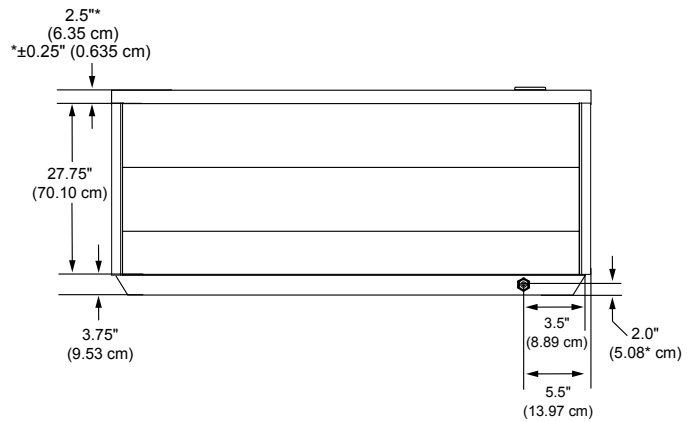
Jacuzzi J408

Dimensions

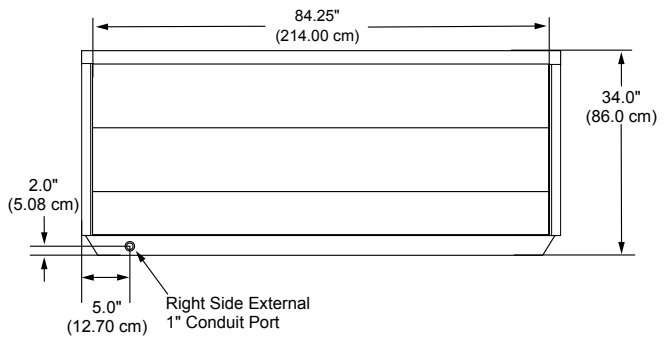
TOP VIEW



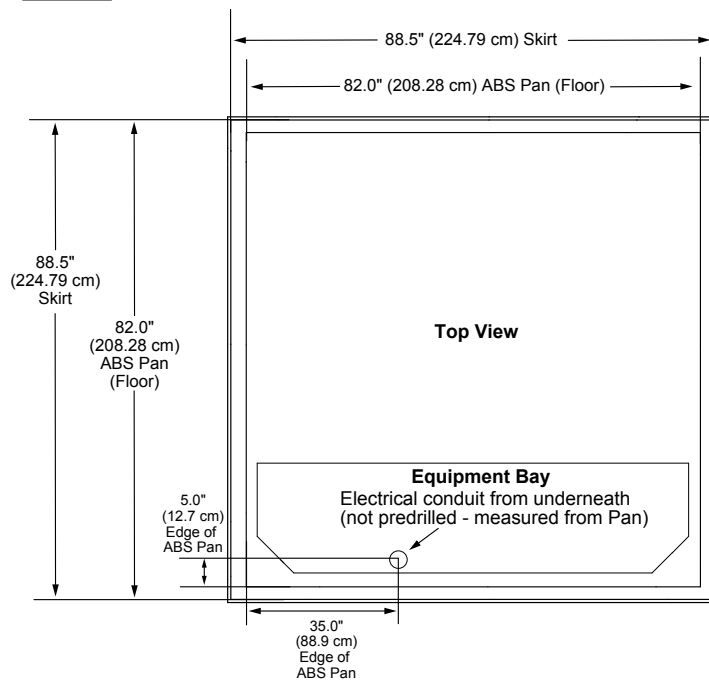
FRONT/BACK SIDE VIEW



RIGHT SIDE VIEW



IMPORTANT! Always measure each hot tub for exact dimensions BEFORE designing its foundational support and/or decking.

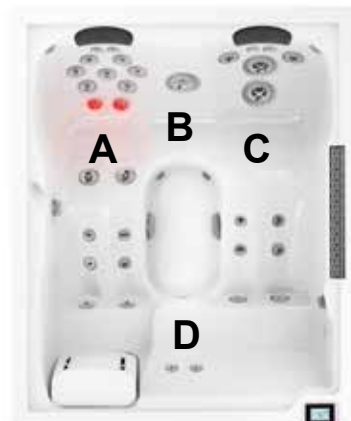


Dimensions/specifications subject to change without notice. Tolerance ±0.5" (1.27 cm)

Jacuzzi J404L™

Specifications

Seating Capacity	3-4
Dimensions	69" x 84" x 33" (176 cm x 214 cm x 84 cm); For complete dimensions, see page 74
Dry Weight	690 lbs (313 kg)
Filled Weight (Average Fill)	2,692 lbs (1,222 kg)
Water Capacity (Average Fill)	240 US gallons (909 Liters)
Electronic Controls	Solid state electronic touchscreen controls, programmable temperature, filtration, and heat cycles.
Pump 1	North America (60 Hz): 1-Speed, 5.1 HP brake, 2.5 HP continuous, 56 Frame
Export (50 Hz):	1-Speed, 2.0 HP continuous
Pump 2	N/A
Export (50 Hz):	N/A
Circulation Pump	Yes, 8-hour
Total Jacuzzi® PowerPro® Jets	32 (Plus 2 IR Therapy Lights)
Seat A Jets	2 Jacuzzi® PowerPro® NX2, 9 Jacuzzi® PowerPro® FX, 2 IR Therapy Lights, 2 Jacuzzi® PowerPro® FX Rotational, 4 Jacuzzi® PowerPro® FX
Seat B Jets	1 Jacuzzi® PowerPro® FX Large
Seat C Jets	2 Jacuzzi® PowerPro® NX2, 2 Jacuzzi® PowerPro® RX, 2 Jacuzzi® PowerPro® FX Rotational, 4 Jacuzzi® PowerPro® FX, 2 Jacuzzi® PowerPro® FX
Seat D Jets	2 Jacuzzi® PowerPro® NX2
Massage Selector	1
Air Controls	2, On/Off rocker switch air controller
Water Management System	One ProClarity® 40 ft² filter cartridge and 1 ProClarity® depth load filter on 8-hour circulation pump; one ProCatch® bag with ProClear® 60 ft² filter; True Water® System
Export (50 Hz):	True Water® System
LED Lighting	Two underwater light with 4 color modes, waterfall lights, exterior corner lights
Cabinet	Modern Hardwood, Brushed Gray, Smoked Ebony
Acrylic Colors	Platinum, Porcelain
Headrests	2
Waterfalls	One; Independent flow rate (on or off) adjustment powered by Circulation Pump
Heater:	North America (60 Hz): 5.5 kW, High Flow
Export (50 Hz):	High Flow, 2.7 kW
Electrical Requirements:	North America (60 Hz): 240 VAC@40A or 50A Export (50 Hz): 220-240 VAC@1x16A, 1x25A, or 2x16A, or suitably rated circuit breaker to comply with local electrical codes. Certain countries may require dual power inputs; two GFCI RCD breakers are required for this configuration.
Warranty*	North America (60 Hz): 10 Years Shell, 7 Years Shell Surface, 5 Years Plumbing Component Leaks, 5 Years Equipment and Controls, 5 Years Cabinet, 2 Years Jets, 2 Years Lights, 1 Year True Water® System; Export (50 Hz): 10 Years Shell, 7 Years Shell Surface, 5 Years Plumbing Component Leaks, 5 Years Equipment and Controls, 5 Years Cabinet, 2 Years Jets, 2 Years Lights, 1 Year True Water® System
Special Feature (Standard)	SmartTub® Module
Export (50 Hz) (Optional): ..	SmartTub® Module
Audio System (Optional)	N/A

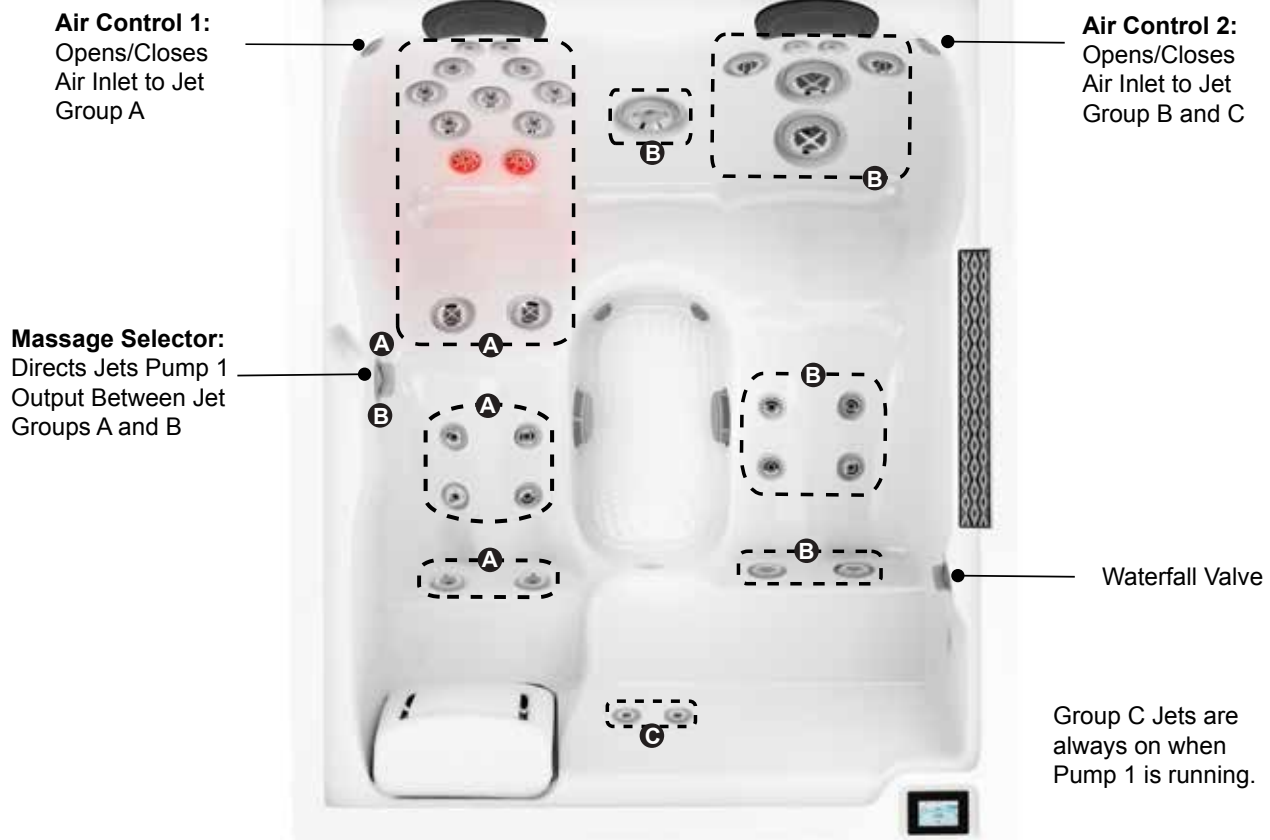


*(See Warranty Document for Specific Details)

Dimensions/Specifications are Subject to Change Without Notice

Jacuzzi J404L

Operation/Seat Depths



32 Total Jets (plus 2 IR Therapy Lights)



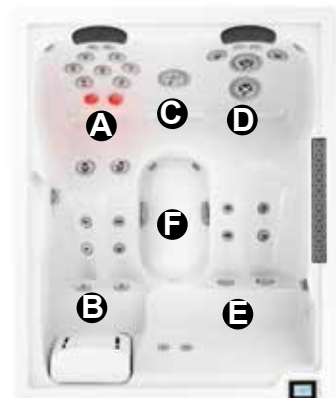
Spa Operation Subject to Change without Notice

Seat Depths

A = 26.75" (67.95 cm)
B = 24.00" (60.96 cm)
C = 24.75" (62.87 cm)

D = 25.50" (64.77 cm)
E = 16.50" (41.91 cm)
F = 28.50" (72.39 cm)

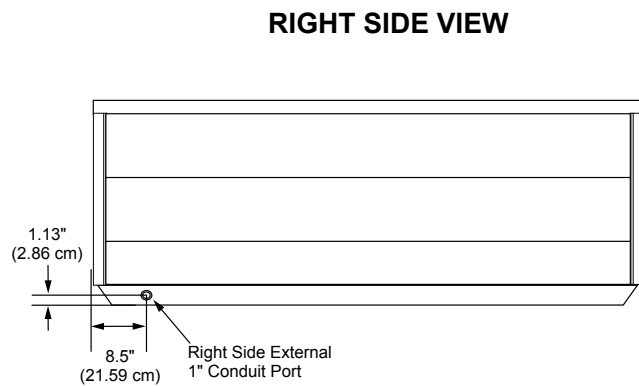
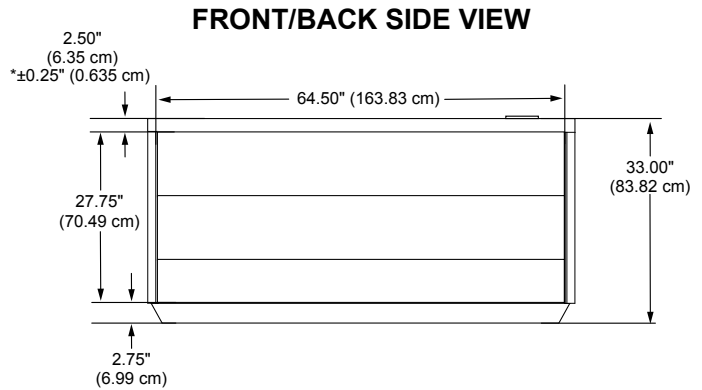
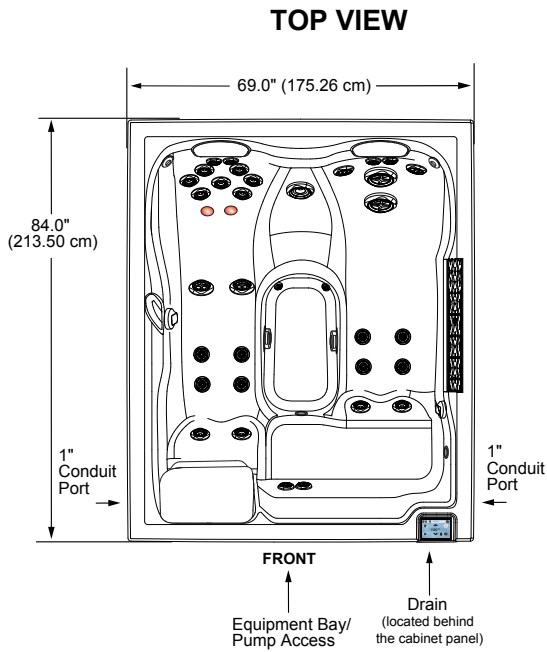
Listed dimensions represent distance from top of the deck to lowest point in seat. Tolerance $\pm 0.5"$ (1.27 cm).



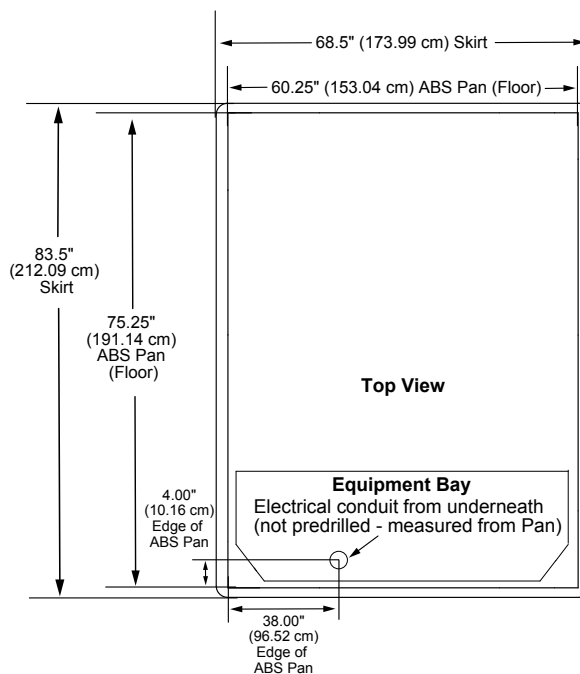
Dimensions/Specifications are Subject to Change Without Notice

Jacuzzi J404L

Dimensions



IMPORTANT! Always measure each hot tub for exact dimensions BEFORE designing its foundational support and/or decking.



Dimensions/specifications subject to change without notice. Tolerance: ± 0.5" (1.27 cm)
Dimensions/specifications subject to change without notice. Tolerance ±0.5" (1.27 cm)

Jacuzzi J-385

Specifications

Seating Capacity	6-7
Dimensions	91" x 91" x 37.50" (232 cm x 232 cm x 96 cm); For complete dimensions, see page 75
Dry Weight	850 lbs (386 kg)
Filled Weight (Average Fill)	4,686 lbs (2,126 kg)
Water Capacity (Average Fill)	460 US gallons (1,741 Liters)
Electronic Controls	Solid state electronic touchscreen controls, programmable temperature, filtration, and heat cycles
Pump 1	North America (60 Hz): 1-Speed, 4.8 HP brake, 2.5 HP continuous, 56 Frame
Export (50 Hz):	N/A
Pump 2	North America (60 Hz): 1-Speed, 4.8 HP brake, 2.5 HP continuous, 56 Frame
Export (50 Hz):	N/A
Circulation Pump	Yes, 8-hour
Heater	North America (60 Hz): 5.5kW High Flow
Export (50 Hz)	N/A
Total Jacuzzi® PowerPro® Jets	51
Seat A Jets	4 Jacuzzi® PowerPro® FX, 2 Jacuzzi® PowerPro® FX Large Rotational
Seat B Jets	1 Jacuzzi® PowerPro® FX Rotational, 2 Jacuzzi® PowerPro® FX Large
Seat C Jets	2 Jacuzzi® PowerPro® NX2, 2 Jacuzzi® PowerPro® FX Rotational, 4 Jacuzzi® PowerPro® FX, 2 Jacuzzi® PowerPro® FX Large
Seat D Jets	2 Jacuzzi® PowerPro® FX Large Rotational
Seat E Jets (Standard model)	10 Jacuzzi® PowerPro® FX, 2 Jacuzzi® PowerPro® FX Rotational, 2 Jacuzzi® PowerPro® BX
Seat E Jets (optional IR Therapy)	8 Jacuzzi® PowerPro® FX, 2 IR Therapy Lights, 2 Jacuzzi® PowerPro® FX Rotational, 2 Jacuzzi® PowerPro® BX
Seat E HYDROSOOTHE™ Jets	2 Jacuzzi® PowerPro® FX Directional with independent flow rate valve
Seat F Jets	2 Jacuzzi® PowerPro® NX2, 3 Jacuzzi® PowerPro® MX
Footwell (G)	8 Jacuzzi® PowerPro® FX Mini, 1 Jacuzzi® PowerPro® FX
Massage Selectors	2
Air Controls	4, On/Off rocker switch air controller
Water Management System	Two 60 ft² Filter cartridges; filter 1 on 8-hour circulation pump; filter 2 on jets pump 1; Factory installed ClearRay Active Oxygen® System; Optional True Water® System
Export (50 Hz):	N/A
LED Lighting	One underwater prolite with 4 color modes, one colored waterfall light, cup holders, 2 HYDROSOOTHE pillow lights, and exterior lights
ProFinish™ Cabinet Colors	Modern Hardwood, Brushed Gray, and Smoked Ebony
Acrylic Colors	Platinum, Silver Pearl, Morning Mist, Midnight, Canyon, Monaco (while quantities last)
Headrests	4
Waterfalls	One independent flow rate (on or off) adjustment; powered by the circulation pump
Heater:	North America (60 Hz): 5.5 kW, High Flow
Export (50 Hz):	N/A
Electrical Requirements:	North America (60 Hz): 240 VAC@40A, 50A, or 60A
Export (50 Hz):	N/A
Warranty*	North America (60 Hz): 10 Years Shell, 7 Years Shell Surface, 5 Years for Plumbing Component Leaks, 5 Years Equipment and Controls, 5 Years Cabinet, 2 Years Jets, 2 Years Lights, 1 Year Stereo;
Export (50 Hz):	N/A
Special Features (Standard)	SmartTub® Module
Special Features (Optional)	2 IR Therapy Lights
Audio System (Optional)	BLUEWAVE® Spa Stereo System (Bluetooth/Aux compatible) with four speakers and a subwoofer



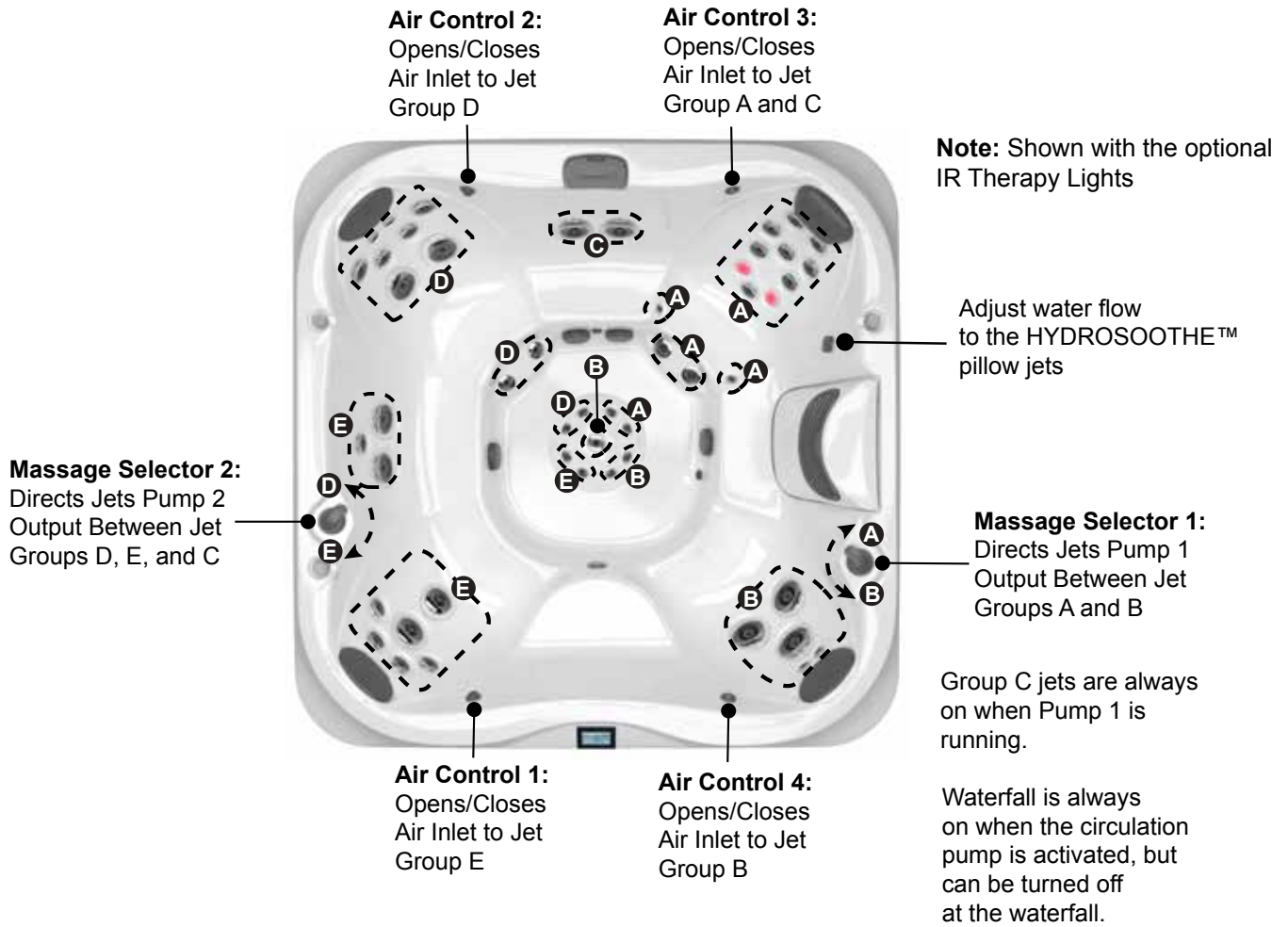
Shown with the optional IR Therapy Lights

*(See Warranty Document for Specific Details)

Dimensions/Specifications are Subject to Change Without Notice

Jacuzzi J-385

Operation/Seat Depths



51 Total Jets



Spa Operation Subject to Change without Notice

Seat Depths

A = 26.50" (67.31 cm)
B = 25.00" (63.50 cm)
C = 26.75" (67.95 cm)
D = 23.25" (59.06 cm)
E = 28.25" (71.76 cm)

F = 27.13" (68.90 cm)
G = 17.00" (43.18 cm)
H = 33.25" (84.46 cm)

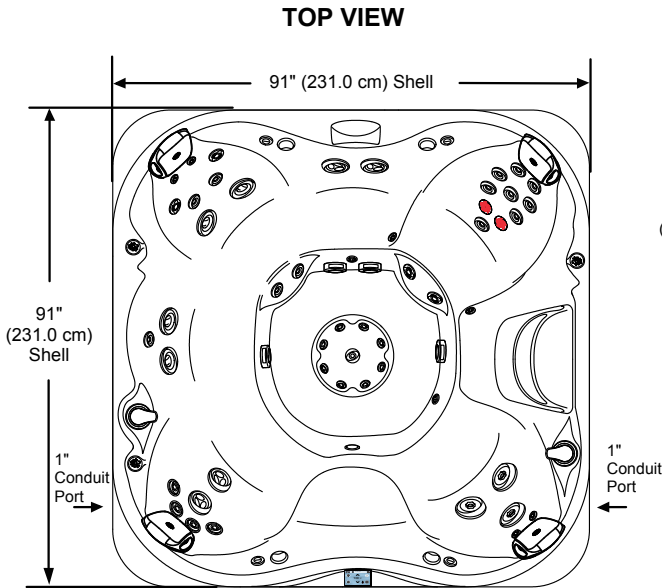
Listed dimensions represent distance from top of acrylic to lowest point in seat. Tolerance $\pm 0.5"$ (1.27 cm).



Dimensions/Specifications are Subject to Change Without Notice

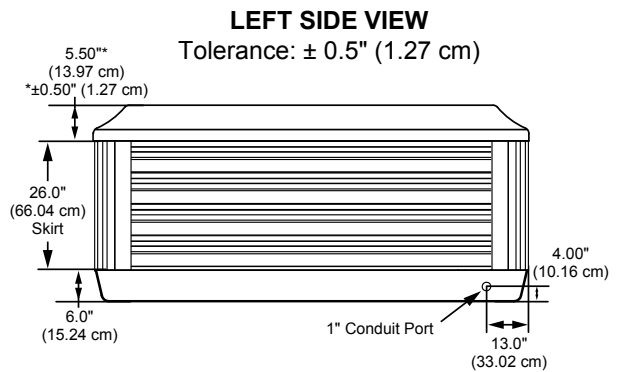
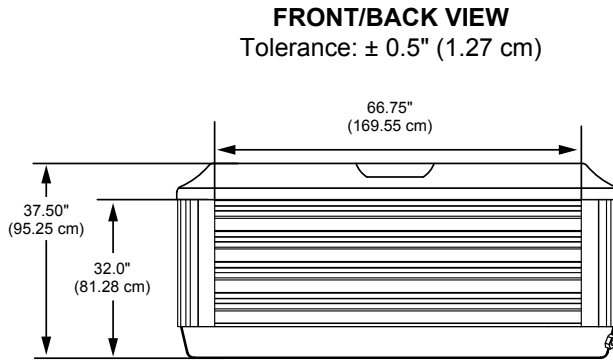
Jacuzzi J-385

Dimensions

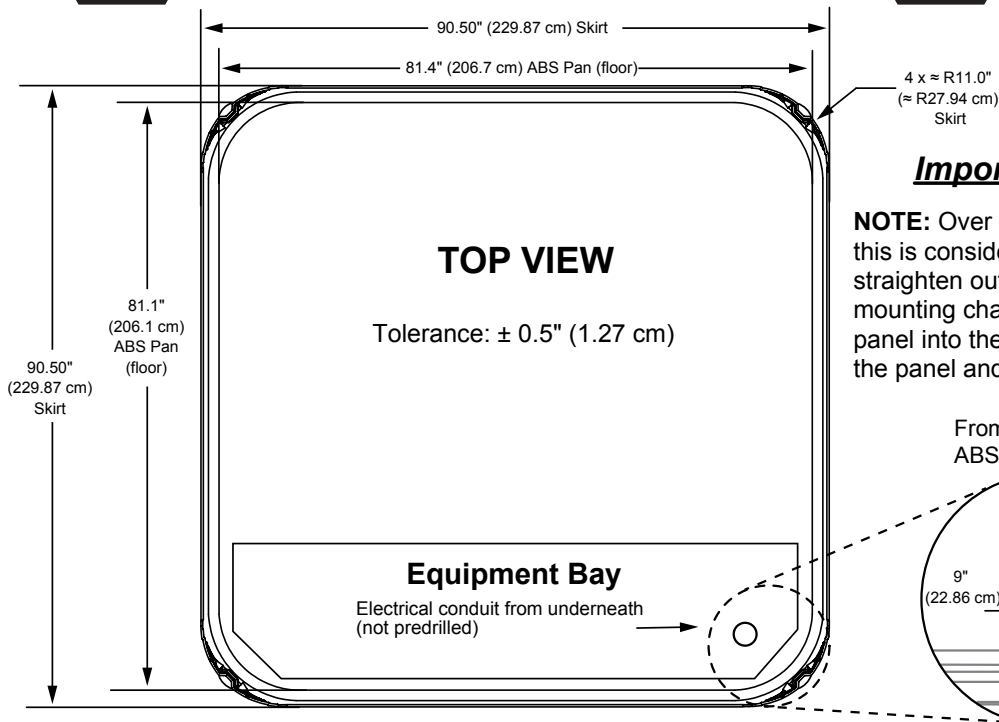


FRONT

Equipment Bay/Pump Access
ClearRay Active Oxygen,
Optional BLUEWAVE,
and Optional SmartTub Module
behind skirt panels



IMPORTANT! Always measure each hot tub for exact dimensions BEFORE designing its foundational support and/or decking.



Important Panel Details

NOTE: Over time the panel(s) may bow, this is considered normal. The panels will straighten out when reinstalled into the mounting channel. Place one end of the panel into the channel first then flatten the panel and insert the other end.

Dimensions/specifications subject to change without notice. Tolerance $\pm 0.5"$ (1.27 cm)

Jacuzzi J-375

Specifications

Seating Capacity	5-6 Adults
Dimensions	91" x 91" x 37.50" (232 cm x 232 cm x 96 cm); For complete dimensions, see page 75
Dry Weight	830 lbs (376 kg)
Filled Weight (Average Fill)	4,541 lbs (2,060 kg)
Water Capacity (Average Fill)	445 US gallons (1,685 Liters)
Electronic Controls	Solid state electronic touchscreen controls, programmable temperature, filtration, and heat cycles
Pump 1	North America (60 Hz): 1-Speed, 4.8 HP brake, 2.5 HP continuous, 56 Frame
Export (50 Hz):	1-Speed, 2.0 HP continuous
Pump 2	North America (60 Hz): 1-Speed, 4.8 HP brake, 2.5 HP continuous, 56 Frame
Export (50 Hz):	1-Speed, 2.0 HP continuous
Circulation Pump	Yes, 8-hour
Heater	North America (60 Hz): 5.5kW High Flow
Export (50 Hz)	2.7kW High Flow
Total Jacuzzi® PowerPro® Jets	52
Seat A Jets	2 Jacuzzi® PowerPro® NX2, 2 Jacuzzi® PowerPro® FX Large, 2 Jacuzzi® PowerPro® FX Rotational,
	2 Jacuzzi® PowerPro® FX
Seat B Jets	4 Jacuzzi® PowerPro® FX, 2 Jacuzzi® PowerPro® FX Large Rotational,
	12 Jacuzzi® PowerPro® BX,
	2 Jacuzzi® PowerPro® FX Rotational
Seat C Jets	1 Jacuzzi® PowerPro® FX Large Rotational
Seat D Jets (Standard model)	10 Jacuzzi® PowerPro® FX, 2 Jacuzzi® PowerPro® FX Rotational
Seat D Jets (optional IR Therapy)	8 Jacuzzi® PowerPro® FX, 2 IR Therapy Lights, 2 Jacuzzi® PowerPro® FX Rotational
Seat D HYDROSOOTHE™ Jets	2 Jacuzzi® PowerPro® FX Directional with independent flow rate valve
Seat E Jets	2 Jacuzzi® PowerPro® NX2, 3 Jacuzzi® PowerPro® MX, 2 Jacuzzi® PowerPro® FX
Footwell (F)	2 Jacuzzi® PowerPro® MX
Massage Selectors	2
Air Controls	4, On/Off rocker switch air controller
Water Management System	Two 60 ft² Filter cartridges; filter 1 on 8-hour circulation pump; filter 2 on jets pump 1; Factory installed ClearRay Active Oxygen® System; Optional True Water® System
Export (50 Hz):	ClearRay Active Oxygen® System
LED Lighting	One underwater prolite with 4 color modes, one colored waterfall light, cup holders, 2 HYDROSOOTHE pillow lights, and exterior lights
ProFinish™ Cabinet Colors	Modern Hardwood, Brushed Gray, and Smoked Ebony
Acrylic Colors	Platinum, Silver Pearl, Morning Mist, Midnight, Canyon, Monaco (while quantities last)
Headrests	4
Waterfalls	One independent flow rate (on or off) adjustment; powered by the circulation pump
Heater:	North America (60 Hz): 5.5 kW, High Flow
Export (50 Hz):	High Flow, 2.7 kW
Electrical Requirements:	North America (60 Hz): 240 VAC@40A, 50A, or 60A Export (50 Hz): 220-240 VAC@1x32A, 1x20A/1x16A, 3x16A, or suitably rated circuit breaker to comply with local electrical codes. Certain countries may require dual power inputs; two GFCI RCD breakers are required for this configuration.
Warranty*	North America (60 Hz): 10 Years Shell, 7 Years Shell Surface, 5 Years for Plumbing Component Leaks, 5 Years Equipment and Controls, 5 Years Cabinet, 2 Years Jets, 2 Years Lights, 1 Year Stereo; Export (50 Hz): 10 Years Shell, 7 Years Shell Surface, 5 Years Plumbing Component Leaks, 5 Years Equipment and Controls, 5 Years Cabinet, 2 Years Jets, 2 Years Lights, 2 Years Stereo
Special Features (Standard)	SmartTub® Module
Export (50 Hz) (Optional):	SmartTub® Module
Special Features (Optional)	2 IR Therapy Lights
Audio System (Optional)	BLUEWAVE® Spa Stereo System (Bluetooth/Aux compatible) with four speakers and subwoofer



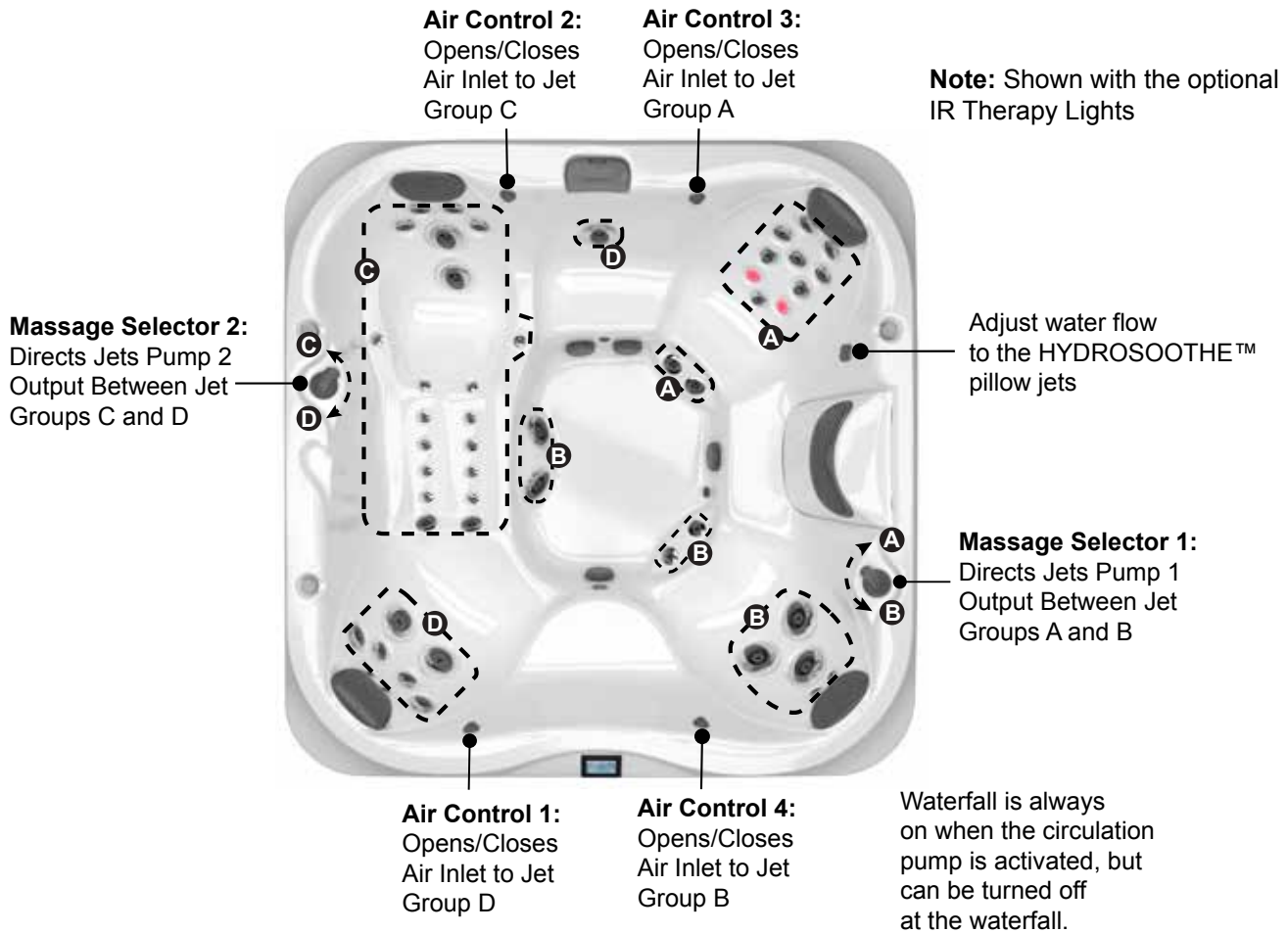
Shown with the optional IR Therapy Lights

*(See Warranty Document for Specific Details)

Dimensions/Specifications are Subject to Change Without Notice

Jacuzzi J-375

Operation/Seat Depths



52 Total Jets



Spa Operation Subject to Change without Notice

Seat Depths

A = 26.50" (67.31 cm)
B = 27.50" (69.85 cm)
C = 23.50" (59.69 cm)
D = 28.25" (71.76 cm)
E = 27.25" (69.22 cm)

F = 17.00" (43.18 cm)
G = 34.00" (86.36 cm)

Listed dimensions represent distance from top of acrylic to lowest point in seat. Tolerance $\pm 0.5"$ (1.27 cm).

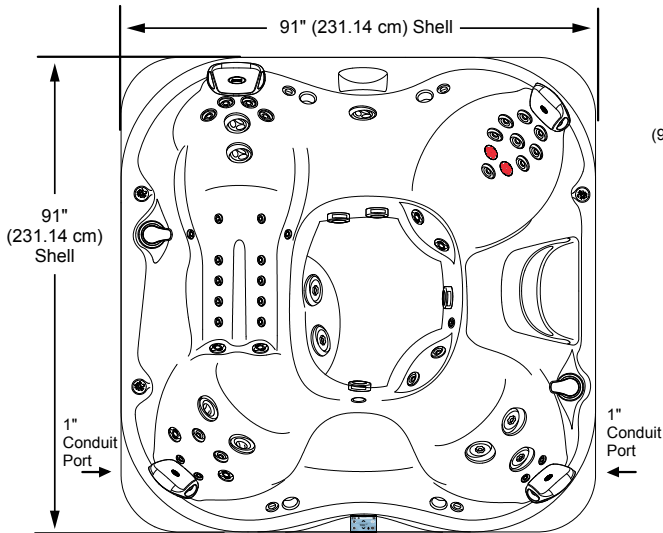


Dimensions/Specifications are Subject to Change Without Notice

Jacuzzi J-375

Dimensions

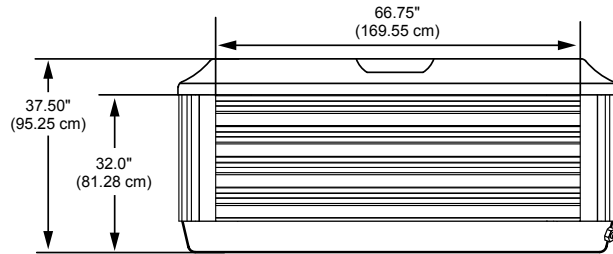
TOP VIEW



FRONT
 Equipment Bay/Pump Access
 ClearRay Active Oxygen,
 Optional BLUEWAVE,
 and Optional SmartTub Module
 behind skirt panels

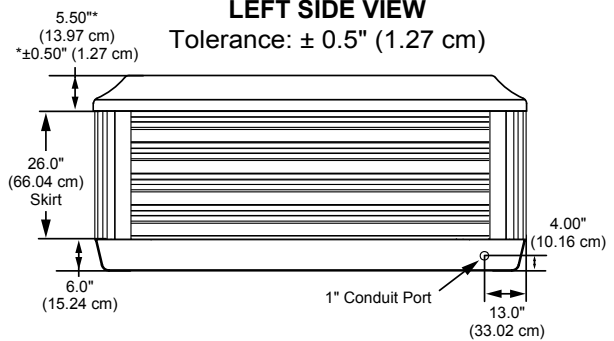
FRONT/BACK VIEW

Tolerance: $\pm 0.5"$ (1.27 cm)



LEFT SIDE VIEW

Tolerance: $\pm 0.5"$ (1.27 cm)

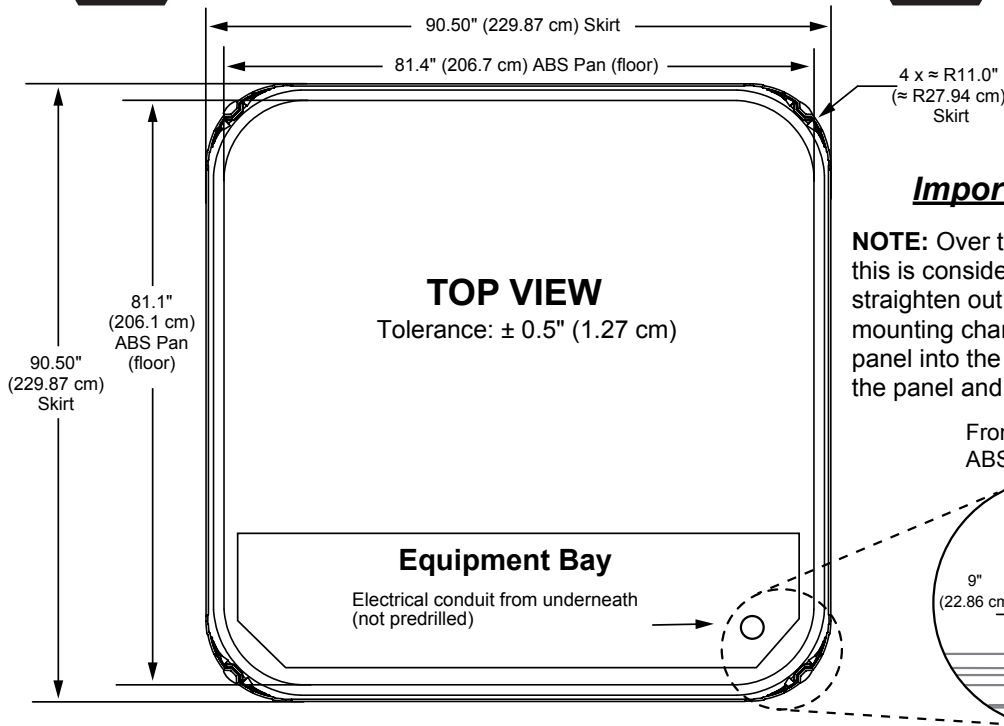


IMPORTANT! Always measure each hot tub for exact dimensions BEFORE designing its foundational support and/or decking.



TOP VIEW

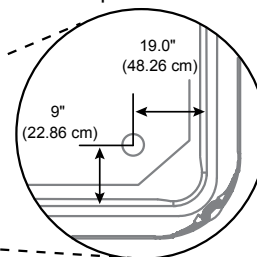
Tolerance: $\pm 0.5"$ (1.27 cm)



Important Panel Details

NOTE: Over time the panel(s) may bow, this is considered normal. The panels will straighten out when reinstalled into the mounting channel. Place one end of the panel into the channel first then flatten the panel and insert the other end.

From the edge of the ABS pan



Dimensions/specifications subject to change without notice. Tolerance $\pm 0.5"$ (1.27 cm)

Jacuzzi J-365

Specifications

Seating Capacity	6-7 Adults
Dimensions	84" x 91" x 37.50" (214 cm x 232 cm x 96 cm); For Complete Dimensions, See page 75
Dry Weight	805 lbs (365 kg)
Filled Weight (Average Fill)	4,099 lbs (1,859 kg)
Water Capacity (Average Fill)	395 US gallons (1,495 Liters)
Electronic Controls	Solid state electronic touchscreen controls, programmable temperature, filtration, and heat cycles
Pump 1	North America (60 Hz): 1-Speed, 4.8 HP brake, 2.5 HP continuous, 56 Frame
Export (50 Hz):	N/A
Pump 2	North America (60 Hz): 1-Speed, 4.8 HP brake, 2.5 HP continuous, 56 Frame
Export (50 Hz):	N/A
Circulation Pump	Yes, 8-Hour
Heater	North America (60 Hz): 5.5kW High Flow
Export (50 Hz)	N/A
Total Jacuzzi® PowerPro® Jets	46
Seat A Jets	4 Jacuzzi® PowerPro® FX, 2 Jacuzzi® PowerPro® FX Large Rotational
Seat B Jets	1 Jacuzzi® PowerPro® FX Large
Seat C Jets	2 Jacuzzi® PowerPro® NX2, 2 Jacuzzi® PowerPro® FX, 3 Jacuzzi® PowerPro® MX
Seat D Jets	1 Jacuzzi® PowerPro® FX Large Rotational
Seat E Jets (Standard model)	10 Jacuzzi® PowerPro® FX, 2 Jacuzzi® PowerPro® FX Rotational
Seat E Jets (optional IR Therapy)	8 Jacuzzi® PowerPro® FX, 2 IR Therapy Lights, 2 Jacuzzi® PowerPro® FX Rotational
Seat E HYDROSOOTHE™ Jets	2 Jacuzzi® PowerPro® FX Directional with independent flow rate valve
Seat F Jets	2 Jacuzzi® PowerPro® NX2, 2 Jacuzzi® PowerPro® FX Rotational, 2 Jacuzzi® PowerPro® FX, 2 Jacuzzi® PowerPro® FX Large
Footwell (G)	8 Jacuzzi® PowerPro® FX Mini, 1 Jacuzzi® PowerPro® FX
Massage Selectors	2
Air Controls	4, On/Off rocker style
Water Management System	Two 60 ft² filter cartridges; filter 1 on 8-hour circulation pump; filter 2 on jets pump 1; Factory installed ClearRay Active Oxygen® System; Optional True Water® System
Export (50 Hz):	N/A
LED Lighting	One underwater light with 4 color modes, one colored waterfall light, cup holders, 2 HYDROSOOTHE pillow lights, and exterior lights
ProFinish™ Cabinet Colors	Modern Hardwood, Brushed Gray, and Smoked Ebony
Acrylic Colors	Platinum, Silver Pearl, Morning Mist, Midnight, Canyon, Monaco (while quantities last)
Headrests	4
Waterfalls	One independent flow rate (on or off) adjustment; powered by the circulation pump
Heater:	North America (60 Hz): 5.5 kW, High Flow
Export (50 Hz):	N/A
Electrical Requirements:	North America (60 Hz): 240 VAC@40A, 50A, or 60A Export (50 Hz): N/A
Warranty*	North America (60 Hz): 10 Years Shell, 7 Years Shell Surface, 5 Years Plumbing Component Leaks, 5 Years Equipment and Controls, 5 Years Cabinet, 2 Years Jets, 2 Years Lights, 1 Year Stereo; Export (50 Hz): N/A
Special Features (Standard)	SmartTub® Module
Special Features (Optional)	2 IR Therapy Lights
Audio System (Optional)	BLUEWAVE® Spa Stereo System (Bluetooth/Aux compatible) with four speakers and subwoofer



Shown with the optional
IR Therapy Lights

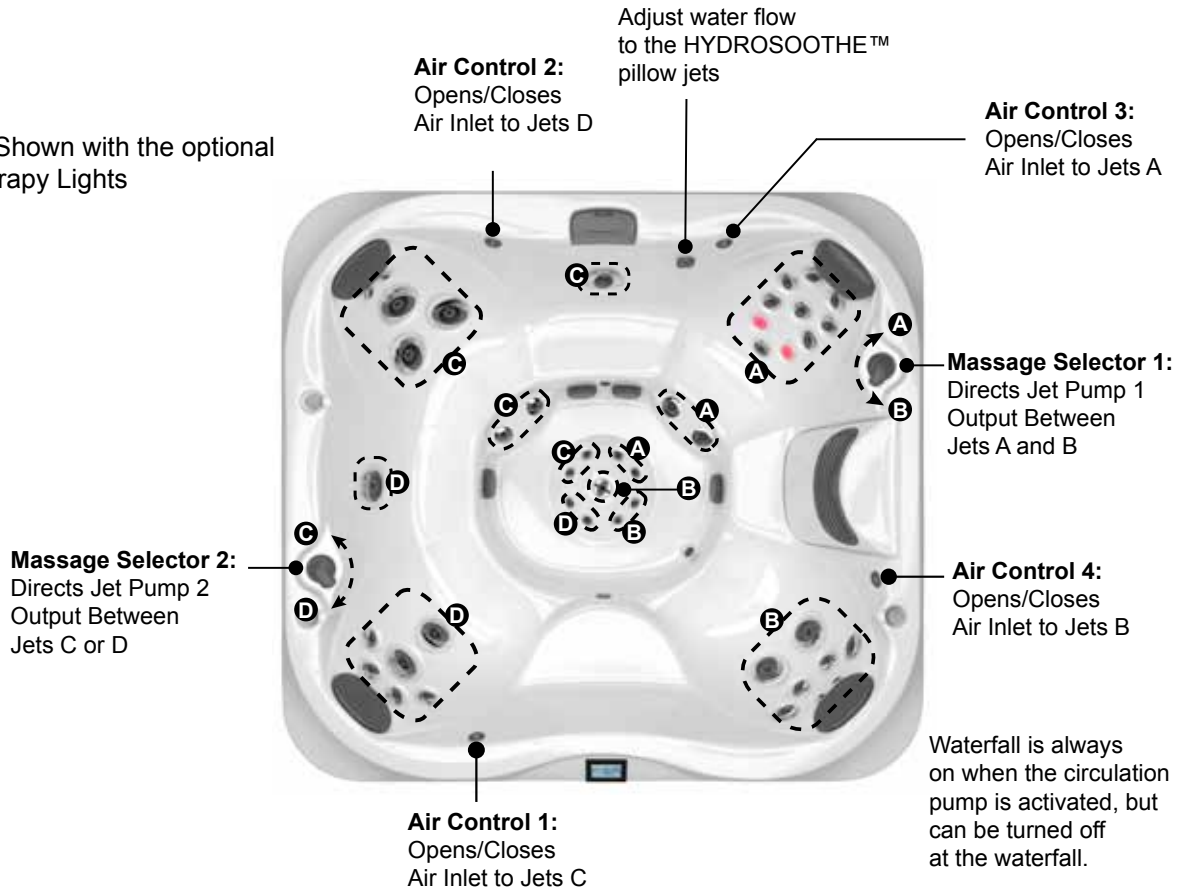
*(See Warranty Document for Specific Details)

Dimensions/Specifications are Subject to Change Without Notice

Jacuzzi J-365

Operation/Seat Depths

Note: Shown with the optional IR Therapy Lights



46 Total Jets



Spa Operation Subject to Change without Notice

Seat Depths

- A = 26.50" (67.47 cm)**
- B = 25.25" (64.14 cm)**
- C = 25.25" (64.14 cm)**
- D = 23.75" (60.33 cm)**
- E = 28.25" (71.76 cm)**

- F = 27.25" (69.22 cm)**
- G = 17.50" (44.45 cm)**
- H = 33.75" (85.73 cm)**

Listed dimensions represent distance from top of acrylic to lowest point in seat. Tolerance $\pm 0.5"$ (1.27 cm).

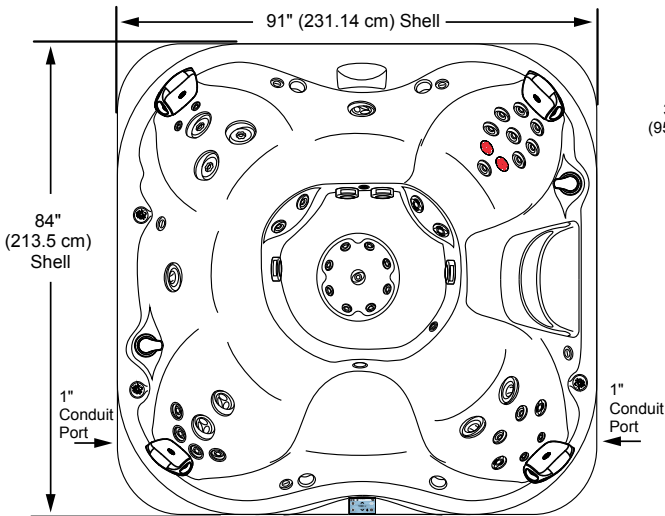


Dimensions/Specifications are Subject to Change Without Notice

Jacuzzi J-365

Dimensions

TOP VIEW

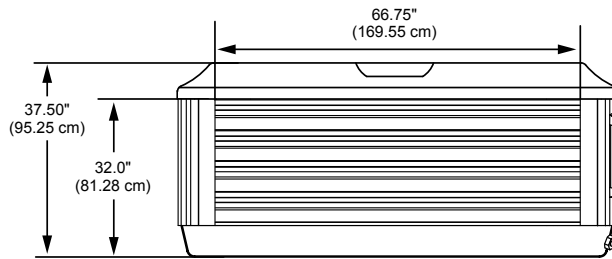


FRONT

Equipment Bay/Pump Access
ClearRay Active Oxygen,
Optional BLUEWAVE,
and Optional SmartTub Module
behind skirt panels

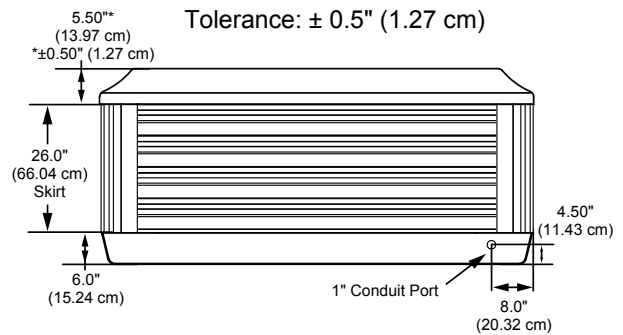
FRONT/BACK VIEW

Tolerance: $\pm 0.5"$ (1.27 cm)



LEFT SIDE VIEW

Tolerance: $\pm 0.5"$ (1.27 cm)

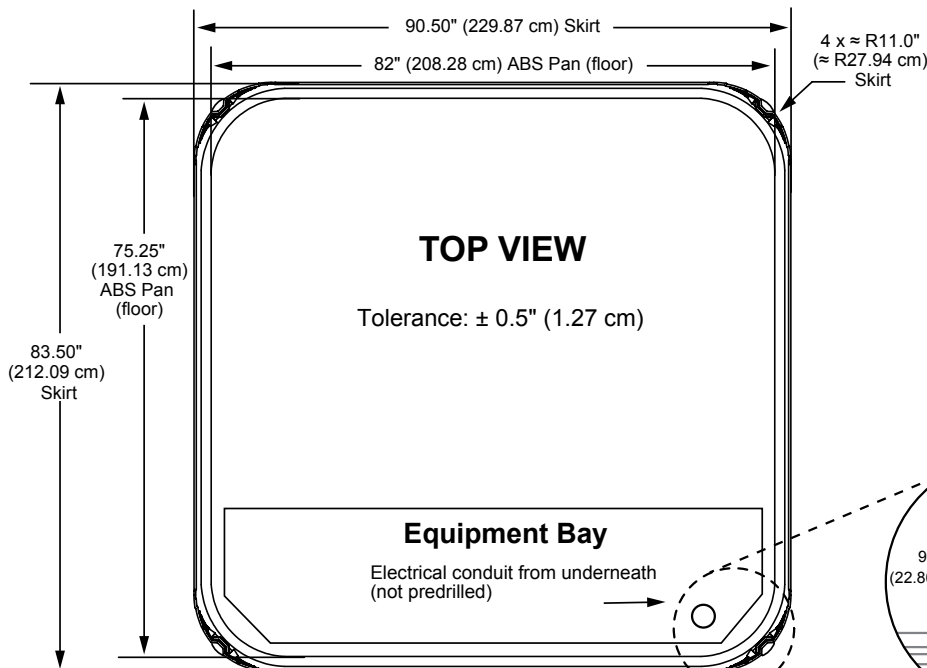


IMPORTANT! Always measure each hot tub for exact dimensions **BEFORE** designing its foundational support and/or decking.



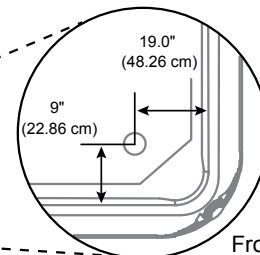
TOP VIEW

Tolerance: $\pm 0.5"$ (1.27 cm)



Important Panel Details

NOTE: Over time the panel(s) may bow, this is considered normal. The panels will straighten out when reinstalled into the mounting channel. Place one end of the panel into the channel first then flatten the panel and insert the other end.



From the edge of the ABS pan

Dimensions/specifications subject to change without notice. Tolerance $\pm 0.5"$ (1.27 cm)

Jacuzzi J-355

Specifications

Seating Capacity.....	5-6 Adults
Dimensions	84" x 91" x 37.50" (214 cm x 232 cm x 96 cm); For Complete Dimensions, See page 75
Dry Weight.....	813 lbs (369 kg)
Filled Weight (Average Fill).....	3,815 lbs (1,730 kg)
Water Capacity (Average Fill)	360 US gallons (1,363 Liters)
Electronic Controls	Solid state electronic touchscreen controls, programmable temperature, filtration, and heat cycles
Pump 1.....	North America (60 Hz): 1-Speed, 4.8 HP brake, 2.5 HP continuous, 56 Frame
Export (50 Hz):	1-Speed, 2.0 HP continuous
Pump 2.....	North America (60 Hz): 1-Speed, 4.8 HP brake, 2.5 HP continuous, 56 Frame
Export (50 Hz):	1-Speed, 2.0 HP continuous
Circulation Pump.....	Yes, 8-hour
Heater	North America (60 Hz): 5.5kW High Flow
Export (50 Hz)	2.7kW High Flow
Total Jacuzzi® PowerPro® Jets	44
Seat A Jets	2 Jacuzzi® PowerPro® NX2, 3 Jacuzzi® PowerPro® MX
Seat B Jets	2 Jacuzzi® PowerPro® FX Large
Seat C Jets (Standard model).....	10 Jacuzzi® PowerPro® FX, 2 Jacuzzi® PowerPro® FX Rotational
Seat C Jets (optimal IR Therapy)	8 Jacuzzi® PowerPro® FX, 2 IR Therapy Lights, 2 Jacuzzi® PowerPro® FX Rotational
Seat C HYDROSOOTHE™ Jets	2 Jacuzzi® PowerPro® FX Directional with independent flow rate valve
Seat D Jets	1 Jacuzzi® PowerPro® FX Large Rotational
Seat E Jets	4 Jacuzzi® PowerPro® FX, 2 Jacuzzi® PowerPro® FX Large Rotational, 12 Jacuzzi® PowerPro® BX, 2 Jacuzzi® PowerPro® FX Rotational
Footwell (F)	2 Jacuzzi® PowerPro® MX
Massage Selectors	2
Air Controls.....	3, On/Off rocker style
Water Management System.....	Two 60 ft ² filter cartridges; filter 1 on 8-hour circulation pump; filter 2 on jets pump 1; Factory installed ClearRay Active Oxygen® System; Optional True Water® System
Export (50 Hz):	ClearRay Active Oxygen® System
LED Lighting	One underwater light with 4 color modes, one colored waterfall light, cup holders, 2 HYDROSOOTHE pillow lights, and exterior lights
ProFinish™ Cabinet Colors.....	Modern Hardwood, Brushed Gray, and Smoked Ebony
Acrylic Colors	Platinum, Silver Pearl, Morning Mist, Midnight, Canyon, Monaco (while quantities last)
Headrests	3
Waterfalls	One independent flow rate (on or off) adjustment; powered by the circulation pump
Heater:.....	North America (60 Hz): 5.5 kW, High Flow
Export (50 Hz):	High Flow, 2.7 kW
Electrical Requirements:.....	North America (60 Hz): 240 VAC@40A, 50A, or 60A Export (50 Hz): 220-240 VAC@1x32A, 1x20A/1x16A, 3x16A, or suitably rated circuit breaker to comply with local electrical codes. Certain countries may require dual power inputs; two GFCI RCD Breakers are required for this configuration.
Warranty*.....	North America (60 Hz): 10 Years Shell, 7 Years Shell Surface, 5 Years for Plumbing Component Leaks, 5 Years Equipment and Controls, 5 Years Cabinet, 2 Years Jets, 2 Years Lights, 1 Year Stereo; Export (50 Hz): 10 Years Shell, 7 Years Shell Surface, 5 Years Plumbing Component Leaks, 5 Years Equipment and Controls, 5 Years Cabinet, 2 Years Jets, 2 Years Lights, 2 Years Stereo
Special Features (Standard).....	SmartTub® Module
Export (50 Hz) (Optional): ..	SmartTub® Module
Special Features (Optional).....	2 IR Therapy Lights
Audio System (Optional).....	BLUEWAVE® Spa Stereo System (Bluetooth/Aux compatible) with four speakers and subwoofer



Shown with the optional
IR Therapy Lights

*(See Warranty Document for Specific Details)

Dimensions/Specifications are Subject to Change Without Notice

Jacuzzi J-355

Operation/Seat Depths

Note: Shown with the optional IR Therapy Lights

Air Control 2:
Opens/Closes
Air Inlet to
Jets C, D and E

Air Control 3:
Opens/Closes
Air Inlet to Jets A

Adjust water flow
to the HYDROSOOTHE™
pillow jets

Massage Selector 2:
Directs Jet Pump 2
Output Between
Jets D or F

Massage Selector 1:
Directs Jet Pump 1
Output Between
Jets A, B or C



Waterfall is always
on when the circulation
pump is activated, but
can be turned off
at the waterfall.

Group E jets are always
on when Pump 2 is
running.

Air Control 1:
Opens/Closes
Air Inlet to Jets B
and F

44 Total Jets



Spa Operation Subject to Change without Notice

Seat Depths

A = 25.25" (64.14 cm)

F = 9.25" (23.50 cm)

B = 26.50" (67.31 cm)

G = 13.50" (34.29 cm)

C = 28.75" (73.02 cm)

H = 33.25" (84.45 cm)

D = 21.25" (53.98 cm)

E = 27.00" (68.58 cm)

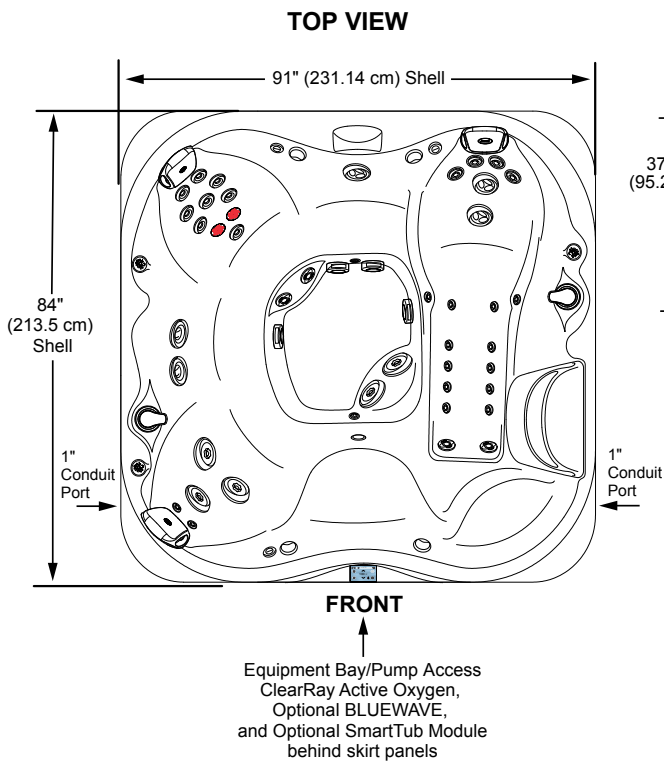
Listed dimensions
represent distance
from top of acrylic to
lowest point in seat.
Tolerance $\pm 0.5"$
(1.27 cm).



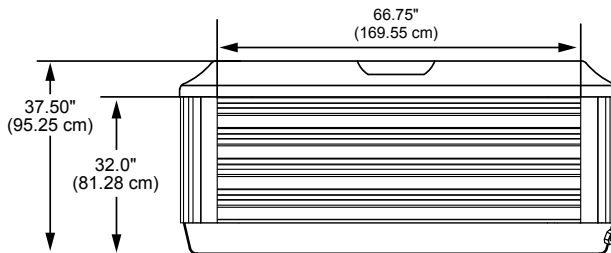
Dimensions/Specifications are Subject to Change Without Notice

Jacuzzi J-355

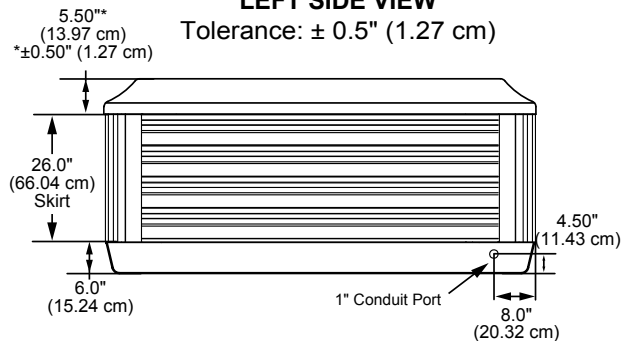
Dimensions



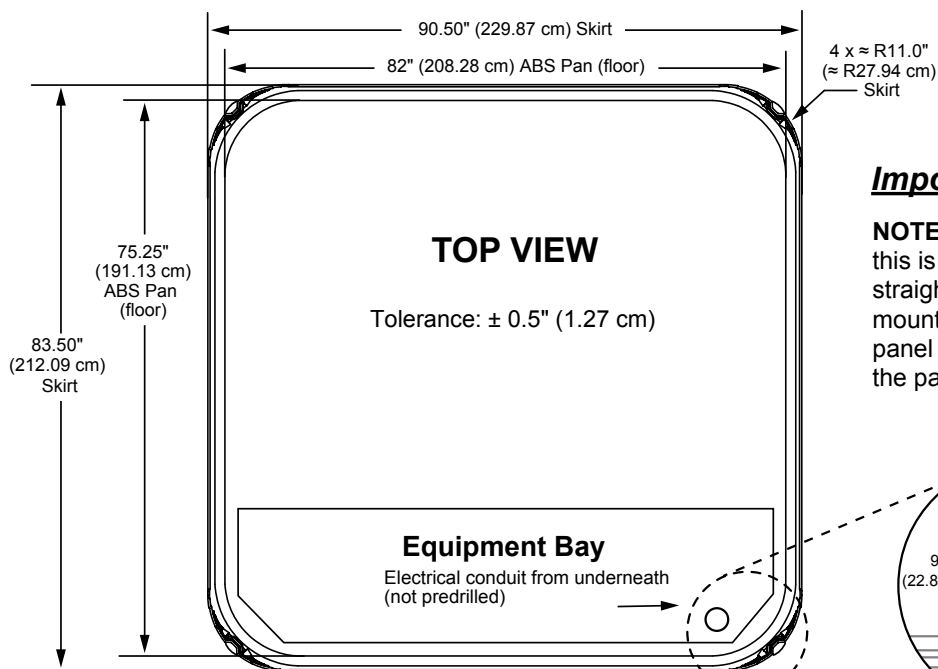
FRONT/BACK VIEW
Tolerance: $\pm 0.5"$ (1.27 cm)



LEFT SIDE VIEW
Tolerance: $\pm 0.5"$ (1.27 cm)

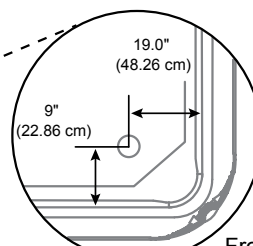


IMPORTANT! Always measure each hot tub for exact dimensions BEFORE designing its foundational support and/or decking.



Important Panel Details

NOTE: Over time the panel(s) may bow, this is considered normal. The panels will straighten out when reinstalled into the mounting channel. Place one end of the panel into the channel first then flatten the panel and insert the other end.



From the edge of

Dimensions/specifications subject to change without notice. Tolerance $\pm 0.5"$ (1.27 cm)

Jacuzzi J-345

Specifications

Seating Capacity.....	6-7 Adults
Dimensions	84" x 84" x 36" (214 cm x 214 cm x 92 cm); For Complete Dimensions, See page 75
Dry Weight.....	777 lbs (352 kg)
Filled Weight (Average Fill).....	3,654 lbs (1,657 kg)
Water Capacity (Average Fill).....	345 US gallons (1,306 Liters)
Electronic Controls	Solid state electronic touchscreen controls, programmable temperature, filtration, and heat cycles
Pump 1	North America (60 Hz): 1-Speed, 4.8 HP brake, 2.5 HP continuous, 56 Frame
Export (50 Hz):	1-Speed, 2.0 HP continuous
Pump 2.....	North America (60 Hz): 1-Speed, 4.8 HP brake, 2.5 HP continuous, 56 Frame
Export (50 Hz):	1-Speed, 2.0 HP continuous
Circulation Pump.....	Yes, 8-hour
Heater	North America (60 Hz): 5.5kW High Flow
Export (50 Hz)	2.7kW High Flow
Total Jacuzzi® PowerPro® Jets	41
Seat A Jets	4 Jacuzzi® PowerPro® FX, 2 Jacuzzi® PowerPro® FX Large Rotational, 2 Jacuzzi® PowerPro® FX Small
Seat B Jets	2 Jacuzzi® PowerPro® FX
Seat C Jets	3 Jacuzzi® PowerPro® MX, 2 Jacuzzi® PowerPro® FX Rotational, 2 Jacuzzi® PowerPro® FX Small
Seat D Jets	1 Jacuzzi® PowerPro® FX Large Rotational
Seat E Jets (Standard model).....	10 Jacuzzi® PowerPro® FX, 2 Jacuzzi® PowerPro® FX Small
Seat E Jets (optional IR Therapy)	8 Jacuzzi® PowerPro® FX, 2 IR Therapy Lights, 2 Jacuzzi® PowerPro® FX Small
Seat E HYDROSOOTHE™ Jets.....	2 Jacuzzi® PowerPro® FX Directional with independent flow rate valve
Seat F Jets.....	2 Jacuzzi® PowerPro® FX Large, 2 Jacuzzi® PowerPro® FX Rotational, 2 Jacuzzi® PowerPro® FX, 2 Jacuzzi® PowerPro® FX Small
Footwell (G).....	8 Jacuzzi® PowerPro® FX Mini, 1 Jacuzzi® PowerPro® FX
Massage Selectors	2
Air Controls.....	4, On/Off rocker style
Water Management System.....	Two 60 ft ² filter cartridges; filter 1 on 8-hour circulation pump; filter 2 on jets pump 1; Factory installed ClearRay Active Oxygen® System; Optional True Water® System
Export (50 Hz):	ClearRay Active Oxygen® System
LED Lighting	One underwater light with 4 color modes, one colored waterfall light, cup holders, 2 HYDROSOOTHE pillow lights, and exterior lights
ProFinish™ Cabinet Colors.....	Modern Hardwood, Brushed Gray, and Smoked Ebony
Acrylic Colors	Platinum, Silver Pearl, Morning Mist, Midnight, Canyon, Monaco (while quantities last)
Headrests	4
Waterfall	One independent flow rate (on or off) adjustment; powered by the circulation pump
Heater:.....	North America (60 Hz): 5.5 kW, High Flow
Export (50 Hz):	High Flow, 2.7 kW
Electrical Requirements:.....	North America (60 Hz): 240 VAC@40A, 50A, or 60A Export (50 Hz): 220-240 VAC@1x32A, 1x20A/1x16A, 3x16A, or suitably rated circuit breaker to comply with local electrical codes. Certain countries may require dual power inputs; two GFCI RCD breakers are required for this configuration.
Warranty*.....	North America (60 Hz): 10 Years Shell, 7 Years Shell Surface, 5 Years for Plumbing Component Leaks, 5 Years Equipment and Controls, 5 Years Cabinet, 2 Years Jets, 2 Years Lights, 1 Year Stereo; Export (50 Hz): 10 Years Shell, 7 Years Shell Surface, 5 Years Plumbing Component Leaks, 5 Years Equipment and Controls, 5 Years Cabinet, 2 Years Jets, 2 Years Lights, 2 Years Stereo
Special Features (Standard).....	SmartTub® Module
Export (50 Hz) (Optional):	SmartTub® Module
Special Features (Optional).....	2 IR Therapy Lights
Audio System (Optional).....	BLUEWAVE® Spa Stereo System (Bluetooth/Aux compatible) with four speakers and subwoofer



Shown with the optional IR Therapy Lights

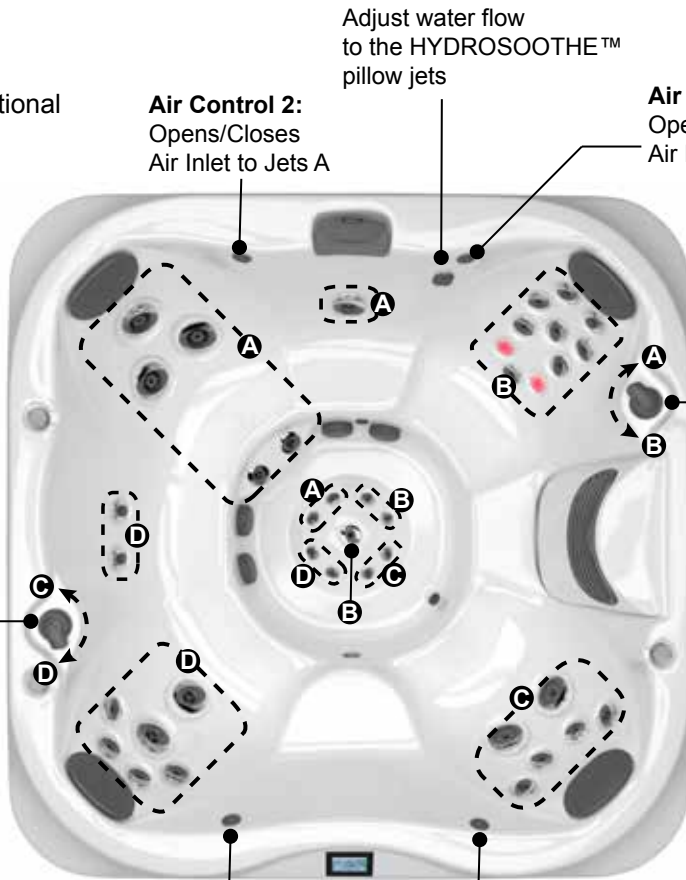
*(See Warranty Document for Specific Details)

Dimensions/Specifications are Subject to Change Without Notice

Jacuzzi J-345

Operation/Seat Depths

Note: Shown with the optional IR Therapy Lights



Adjust water flow to the HYDROSOOTHE™ pillow jets

Air Control 2:
Opens/Closes Air Inlet to Jets A

Air Control 3:
Opens/Closes Air Inlet to Jets B

Massage Selector 1:
Directs Jet Pump 1 Output Between Jets A or B

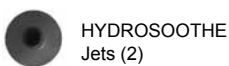
Massage Selector 2:
Directs Jet Pump 2 Output Between Jets C or D

Waterfall is always on when the circulation pump is activated, but can be turned off at the waterfall.

Air Control 1:
Opens/Closes Air Inlet to Jets D

Air Control 4:
Opens/Closes Air Inlet to Jets C

41 Total Jets



HYDROSOOTHE Jets (2)



Jacuzzi® PowerPro® FX Jets (19)



Jacuzzi® PowerPro® FX Mini Jets (8)



Jacuzzi® PowerPro® FX Rotational Jets (4)



Jacuzzi® PowerPro® FX Large Jets (2)



Jacuzzi® PowerPro® FX Large Rotational Jets (3)



Jacuzzi® PowerPro® MX Jets (3)

Optional



Jacuzzi® IR + Red Light Therapy Lights (2)

Spa Operation Subject to Change without Notice

Seat Depths

A = 25.25" (64.1 cm)

F = 25.13" (63.8 cm)

B = 25.25" (64.1 cm)

G = 16.75" (42.5 cm)

C = 25.13" (63.8 cm)

H = 33.50" (85.1 cm)

D = 23.50" (59.7 cm)

E = 28.50" (72.4 cm)

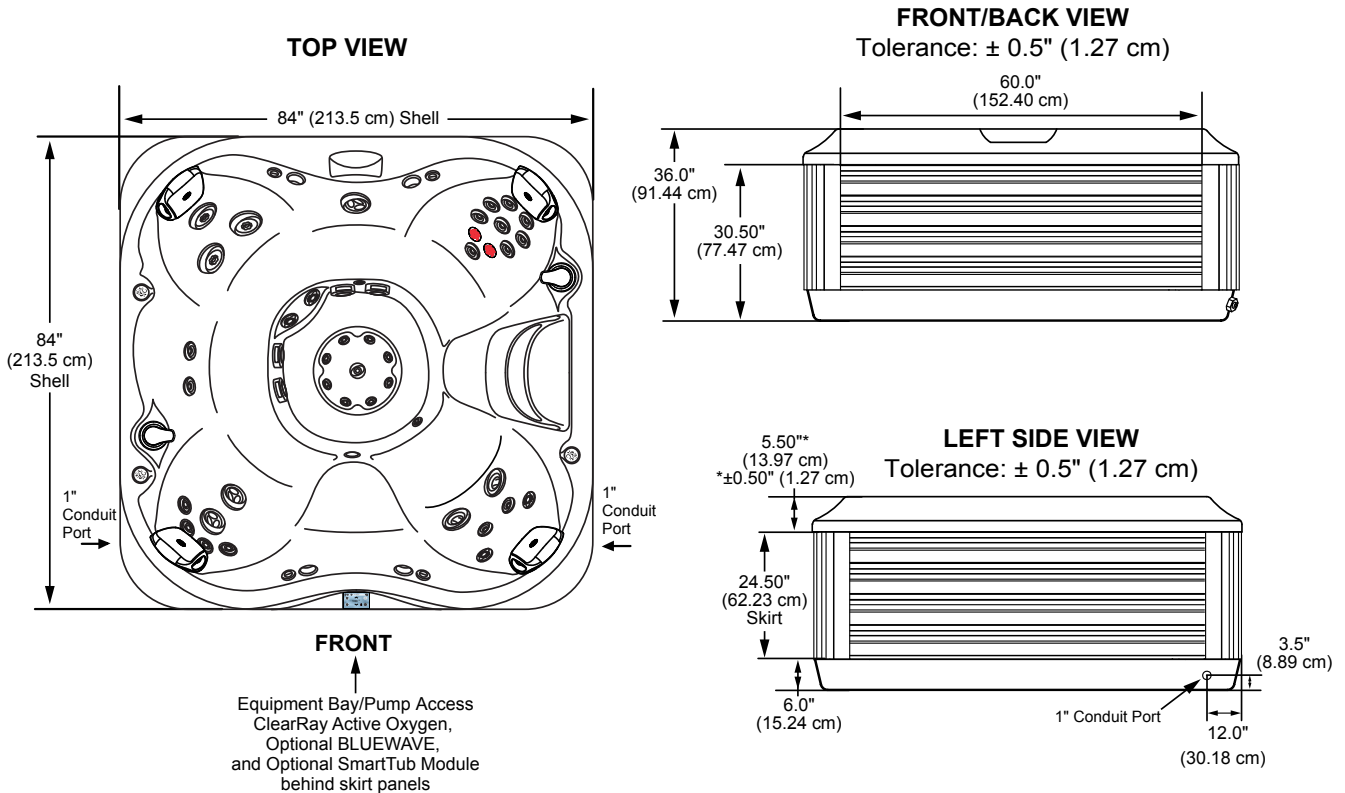
Listed dimensions represent distance from top of acrylic to lowest point in seat. Tolerance $\pm 0.5"$ (1.27 cm).



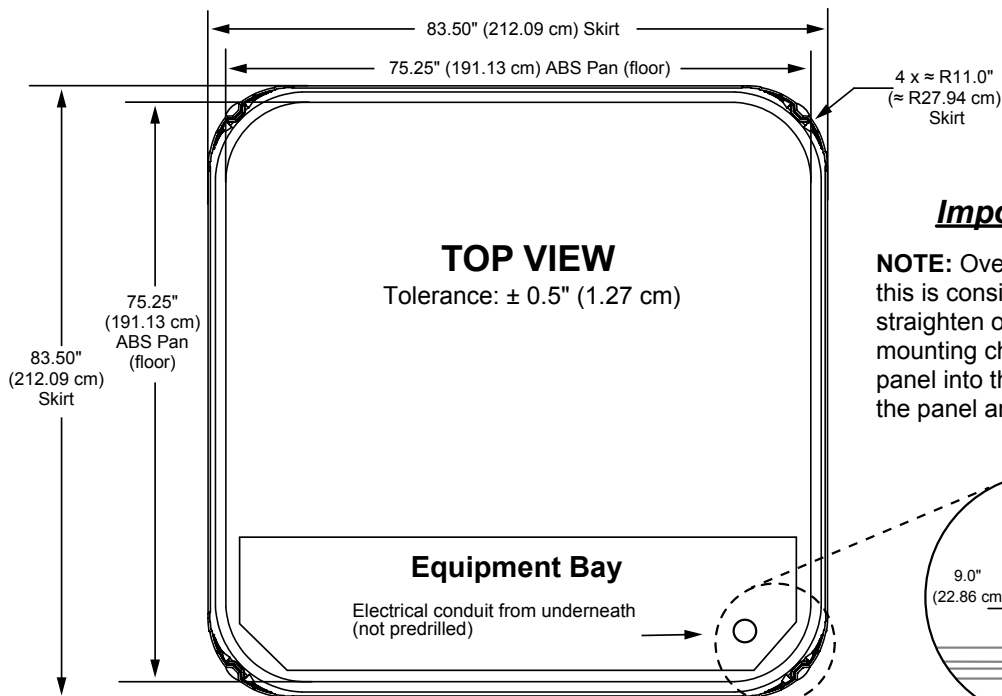
Dimensions/Specifications are Subject to Change Without Notice

Jacuzzi J-345

Dimensions

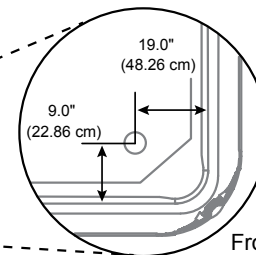


IMPORTANT! Always measure each hot tub for exact dimensions **BEFORE** designing its foundational support and/or decking.



Important Panel Details

NOTE: Over time the panel(s) may bow, this is considered normal. The panels will straighten out when reinstalled into the mounting channel. Place one end of the panel into the channel first then flatten the panel and insert the other end.



From the edge of the ABS pan

Dimensions/specifications subject to change without notice. Tolerance $\pm 0.5"$ (1.27 cm)

Jacuzzi J-335

Specifications

Seating Capacity.....	5-6 Adults
Dimensions	84" x 84" x 36" (214 cm x 214 cm x 92 cm); For Complete Dimensions, See page 75
Dry Weight.....	764 lbs (347 kg)
Filled Weight (Average Fill).....	3,683 lbs (1,671 kg)
Water Capacity (Average Fill)	350 US gallons (1,325 Liters)
Electronic Controls	Solid state electronic touchscreen controls, programmable temperature, filtration, and heat cycles
Pump 1.....	North America (60 Hz): 1-Speed, 4.8 HP brake, 2.5 HP continuous, 56 Frame
Export (50 Hz):	1-Speed, 2.0 HP continuous
Pump 2.....	North America (60 Hz): 1-Speed, 4.8 HP brake, 2.5 HP continuous, 56 Frame
Export (50 Hz):	1-Speed, 2.0 HP continuous
Circulation Pump.....	Yes, 8-hour
Heater	North America (60 Hz): 5.5 kW High Flow
Export (50 Hz)	2.7 kW High Flow
Total Jacuzzi® PowerPro® Jets	42
Seat A Jets	2 Jacuzzi® PowerPro® FX Large Rotational
Seat B Jets	4 Jacuzzi® PowerPro® FX, 1 Jacuzzi® PowerPro® FX Large Rotational, 12 Jacuzzi® PowerPro® BX
Seat C Jets	1 Jacuzzi® PowerPro® FX Large Rotational
Seat D Jets (Standard model).....	10 Jacuzzi® PowerPro® FX, 2 Jacuzzi® PowerPro® FX Rotational
Seat D Jets (optional IR Therapy)	8 Jacuzzi® PowerPro® FX, 2 IR Therapy Lights, 2 Jacuzzi® PowerPro® FX Rotational
Seat D HYDROSOOTHE™ Jets	2 Jacuzzi® PowerPro® FX Directional with independent flow rate valve
Seat E Jets	2 Jacuzzi® PowerPro® FX, 2 Jacuzzi® PowerPro® FX Rotational, 2 Jacuzzi® PowerPro® FX Large
Footwell (F)	2 Jacuzzi® PowerPro® MX
Massage Selectors	2
Air Controls.....	3, On/Off rocker style
Water Management System.....	Two 60 ft² filter cartridges; filter 1 on 8-hour circulation pump; filter 2 on jets pump 1; Factory installed ClearRay Active Oxygen® System; Optional True Water® System
Export (50 Hz):	ClearRay Active Oxygen® System
LED Lighting	One underwater light with 4 color modes, one colored waterfall light, cup holders, 2 HYDROSOOTHE pillow lights, and exterior lights
ProFinish™ Cabinet Colors	Modern Hardwood, Brushed Gray, and Smoked Ebony
Acrylic Colors	Platinum, Silver Pearl, Morning Mist, Midnight, Canyon, Monaco (while quantities last)
Headrests	4
Waterfall	One independent flow rate (on or off) adjustment; powered by the circulation pump
Heater:.....	North America (60 Hz): 5.5 kW, High Flow
Export (50 Hz):	High Flow, 2.7 kW
Electrical Requirements:	North America (60 Hz): 240 VAC@40A, 50A, or 60A Export (50 Hz): 220-240 VAC@1x32A, 1x20A/1x16A, 3x16A, or suitably rated circuit breaker to comply with local electrical codes. Certain countries may require dual power inputs; two GFCI RCD breakers are required for this configuration.
Warranty*.....	North America (60 Hz): 10 Years Shell, 7 Years Shell Surface, 5 Years Plumbing Component Leaks, 5 Years Equipment and Controls, 5 Years Cabinet, 2 Years Jets, 2 Years Lights, 1 Year Stereo; Export (50 Hz): 10 Years Shell, 7 Years Shell Surface, 5 Years Plumbing Component Leaks, 5 Years Equipment and Controls, 5 Years Cabinet, 2 Years Jets, 2 Years Lights, 2 Years Stereo
Special Features (Standard).....	SmartTub® Module
Export (50 Hz) (Optional): ..	SmartTub® Module
Special Features (Optional).....	2 IR Therapy Lights
Audio System (Optional).....	BLUEWAVE® Spa Stereo System (Bluetooth/Aux compatible) with four speakers and subwoofer



Shown with the optional
IR Therapy Lights

*(See Warranty Document for Specific Details)

Dimensions/Specifications are Subject to Change Without Notice

Jacuzzi J-335

Operation/Seat Depths

Air Control 2:
Opens/Closes
Air Inlet to Jets E

Air Control 3:
Opens/Closes
Air Inlet to
Jets A, B and C

Note: Shown with the optional
IR Therapy Lights

Adjust water flow
to the HYDROSOOTHE™
pillow jets

Massage Selector 2:
Directs Jet Pump 2
Output Between
Jets D or E

Footwell group B jets
always on when jets
pump 1 is running.

Massage Selector 1:
Directs Jet Pump 1
Output Between
Jets A or C

Waterfall is always
on when the circulation
pump is activated, but
can be turned off
at the waterfall.

Air Control 1:
Opens/Closes
Air Inlet to Jets D

42 Total Jets

- Jacuzzi® PowerPro® BX Jets (12)
- Jacuzzi® HYDROSOOTHE™ Jets (2)
- Jacuzzi® PowerPro® FX Jets (16)
- Jacuzzi® PowerPro® FX Rotational Jets (4)
- Jacuzzi® PowerPro® FX Large Jets (2)
- Jacuzzi® PowerPro® FX Large Rotational Jets (4)
- Jacuzzi® PowerPro® MX Jets (2)
- Optional** Jacuzzi® IR + Red Light Therapy Lights (2)

Spa Operation Subject to Change without Notice

Seat Depths

- A = 25.75" (65.4 cm)**
- B = 27.50" (69.9 cm)**
- C = 23.50" (59.7 cm)**
- D = 28.25" (71.8 cm)**
- E = 22.75" (57.8 cm)**

- F = 25.50" (64.8 cm)**
- G = 16.75" (42.5 cm)**
- H = 33.50" (85.1 cm)**

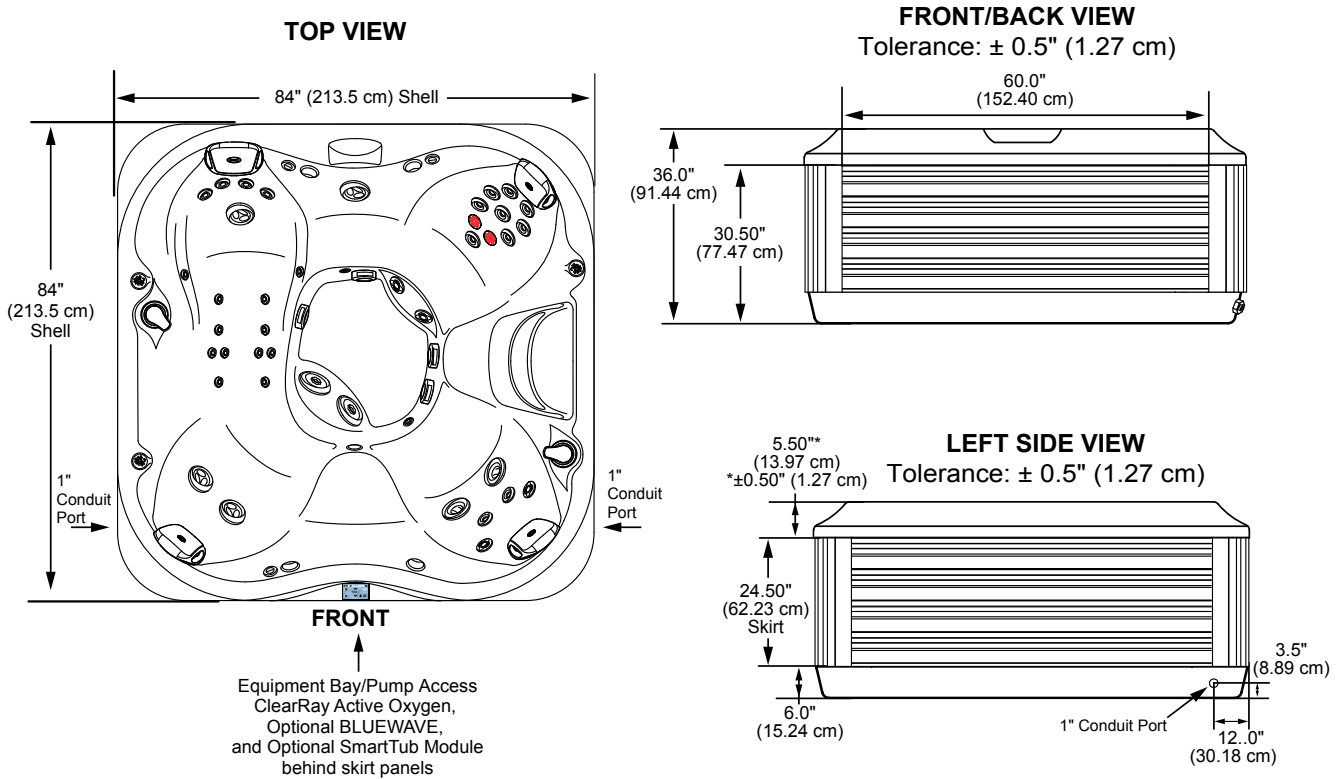
Listed dimensions represent distance from top of acrylic to lowest point in seat. Tolerance $\pm 0.5"$ (1.27 cm).



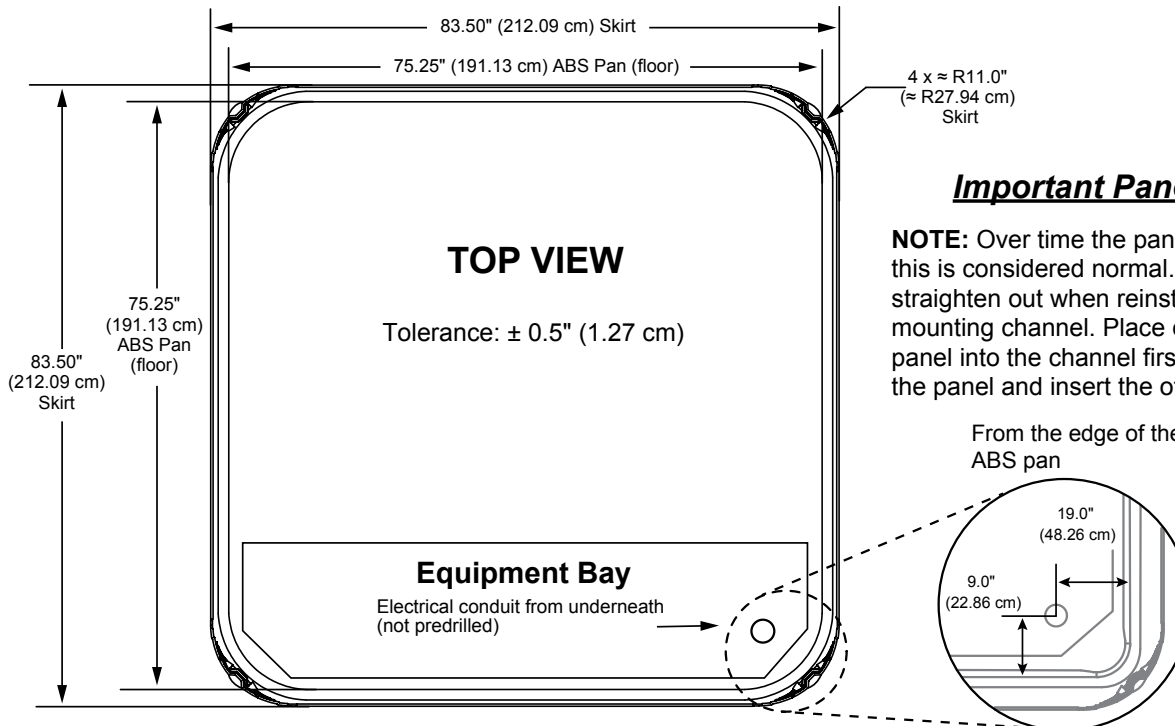
Dimensions/Specifications are Subject to Change Without Notice

Jacuzzi J-335

Dimensions



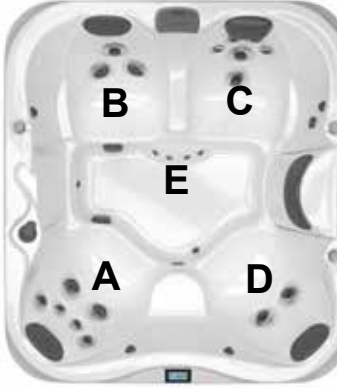
STOP **IMPORTANT! Always measure each hot tub for exact dimensions BEFORE designing its foundational support and/or decking.** **STOP**



Dimensions/specifications subject to change without notice. Tolerance $\pm 0.5"$ (1.27 cm)

Jacuzzi J-325

Specifications

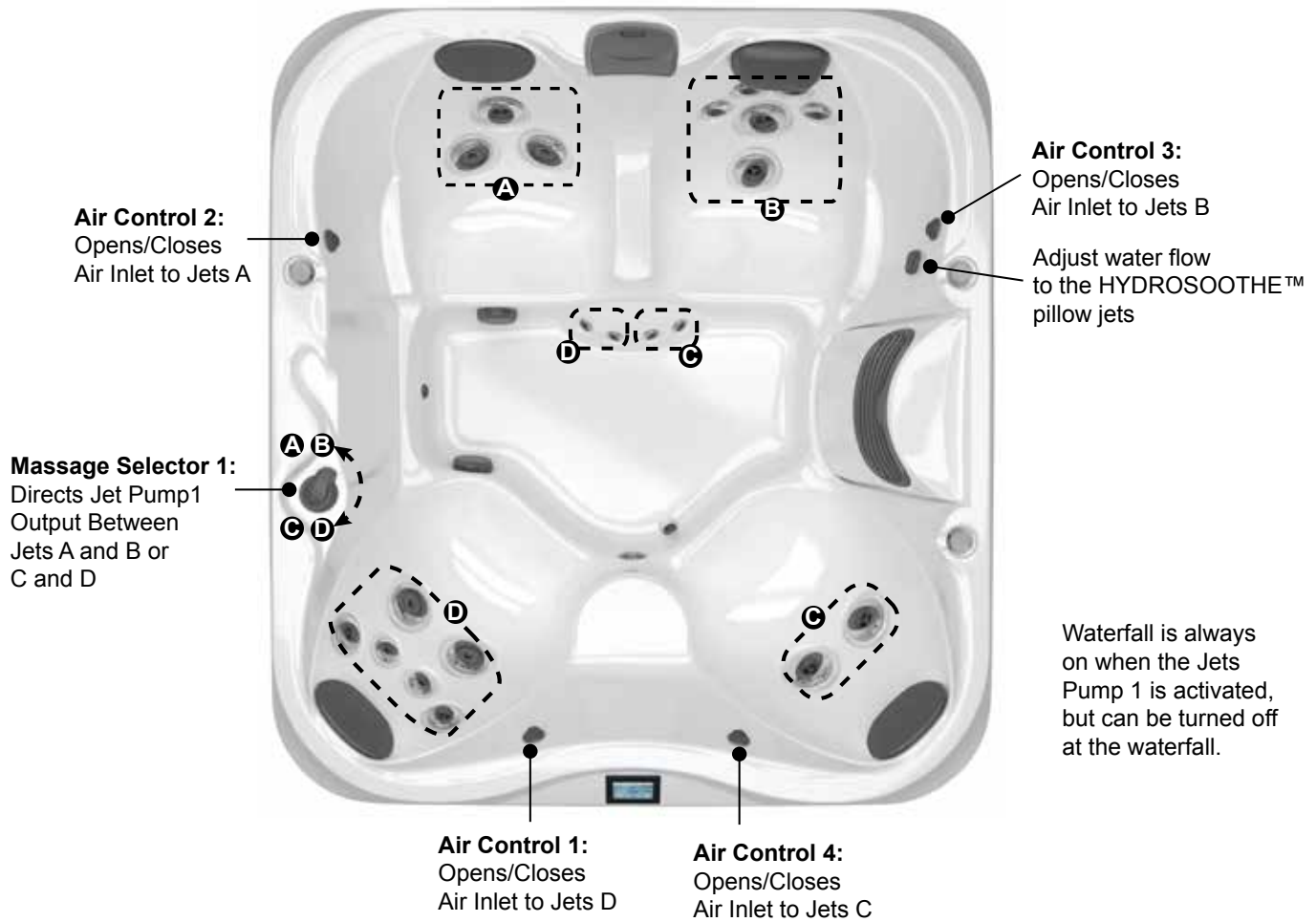
Seating Capacity	4-5 Adults	
Dimensions	84" x 76" x 33.50" (214 cm x 194 cm x 86 cm); For Complete Dimensions, See page 75	
Dry Weight	619 lbs (281 kg)	
Filled Weight (Average Fill)	3,413 lbs (1,548 kg)	
Water Capacity (Average Fill)	335 US gallons (1,268 Liters)	
Electronic Controls	Solid state electronic touchscreen controls, programmable temperature, filtration, and heat cycles	
Pump 1 (Convertible)	North America (60 Hz): 1-Speed, 2.5 HP brake, 1.5 HP continuous, 56 Frame	
(3-Wire 240V)	North America (60 Hz): 1-Speed, 4.8 HP brake, 2.5 HP continuous, 56 Frame	
Export (50 Hz):	N/A	
Circulation Pump	Yes, 8-hour	
Heater (Convertible)	North America (60 Hz): 1 kW/4.0 kW Low Flow	
(3-Wire 240V)	North America (60 Hz): 4.0 kW Low Flow	
Export (50 Hz)	N/A	
Total Jacuzzi® PowerPro® Jets	23	
Seat A Jets	2 Jacuzzi® PowerPro® FX, 2 Jacuzzi® PowerPro® FX Rotational, 2 Jacuzzi® PowerPro® FX Large	
Seat B Jets	1 Jacuzzi® PowerPro® FX Large Rotational, 2 Jacuzzi® PowerPro® FX Large	
Seat C Jets	4 Jacuzzi® PowerPro® FX, 2 Jacuzzi® PowerPro® FX Large Rotational	
Seat C HYDROSOOTHE™ Jets	2 Jacuzzi® PowerPro® FX Directional with independent flow rate valve	
Seat D Jets	2 Jacuzzi® PowerPro® FX Large Rotational	
Footwell (E)	4 Jacuzzi® PowerPro® FX Mini	
Massage Selectors	1	
Air Controls	4, On/Off rocker style	
Water Management System	Two 60 ft ² filter cartridges; filter 1 on 8-hour circulation pump; filter 2 on jets pump 1; Factory installed ClearRay Active Oxygen® System; Optional True Water® System	
Export (50 Hz):	N/A	
LED Lighting	One underwater light with 4 color modes, one colored waterfall light, 2 HYDROSOOTHE pillow lights, and exterior light	
ProFinish™ Cabinet Colors	Modern Hardwood, Brushed Gray, and Smoked Ebony	
Acrylic Colors	Platinum, Silver Pearl, Morning Mist, Midnight, Canyon, Monaco (while quantities last)	
Headrests	4	
Waterfall	One independent flow rate (on or off) adjustment; powered by the circulation pump	
Heater:	North America (60 Hz): Convertible: 1kW/4kW; 3-Wire 240V 5.5 kW, High Flow	
Export (50 Hz):	N/A	
Electrical Requirements:	North America (60 Hz): Convertible 120 VAC@15A or 240 VAC@30A, 40A, North America (60 Hz): 3-Wire 240V@30A, 40A	
Export (50 Hz):	N/A	
Warranty*	North America (60 Hz): 10 Years Shell, 7 Years Shell Surface, 5 Years Plumbing Component Leaks, 5 Years Equipment and Controls, 5 Years Cabinet, 2 Years Jets, 2 Years Lights, 1 Year Stereo;	
Export (50 Hz):	N/A	
Special Features (Standard)	SmartTub® Module	
Audio System (Optional)	BLUEWAVE® Spa Stereo System (Bluetooth/Aux compatible) with four speakers and subwoofer	

*(See Warranty Document for Specific Details)

Dimensions/Specifications are Subject to Change Without Notice

Jacuzzi J-325

Operation/Seat Depths



23 Total Jets

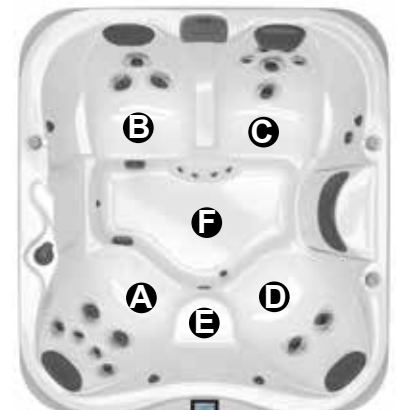


Spa Operation Subject to Change without Notice

Seat Depths

- A = 27.38" (69.5 cm)
- B = 27.38" (69.5 cm)
- C = 27.38" (69.5 cm)
- D = 25.75" (65.4 cm)
- E = 16.63" (42.2 cm)
- F = 31.25" (79.4 cm)

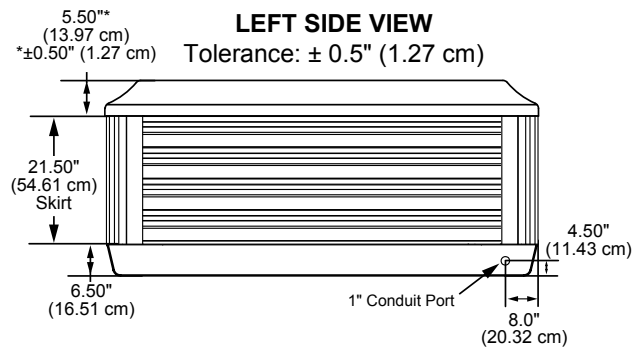
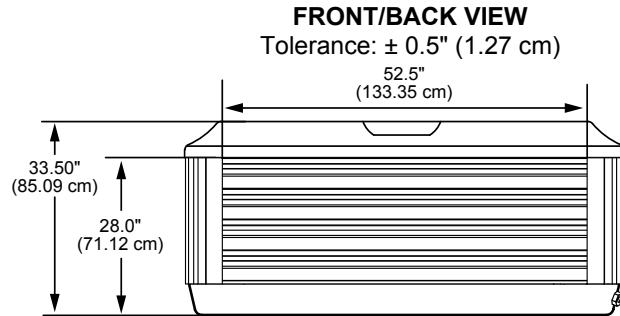
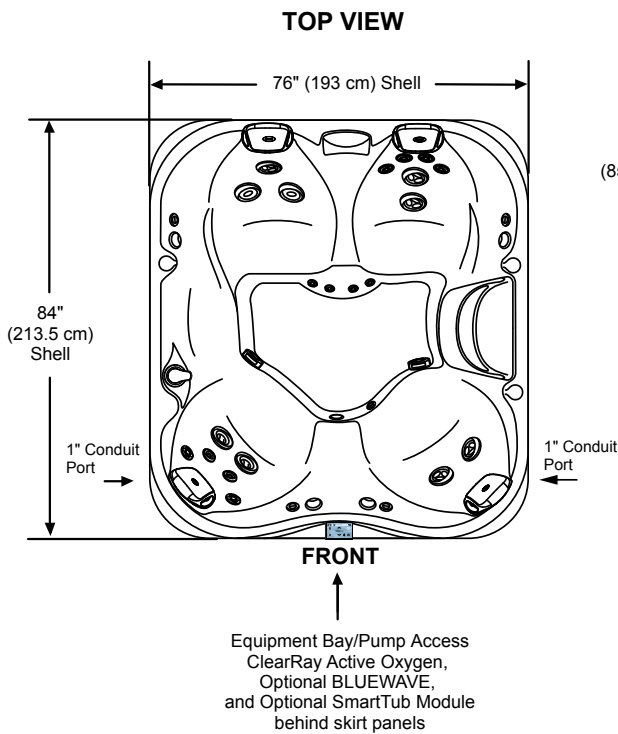
Listed dimensions represent
distance from top of acrylic
to lowest point in seat.
Tolerance $\pm 0.5"$ (1.27 cm).



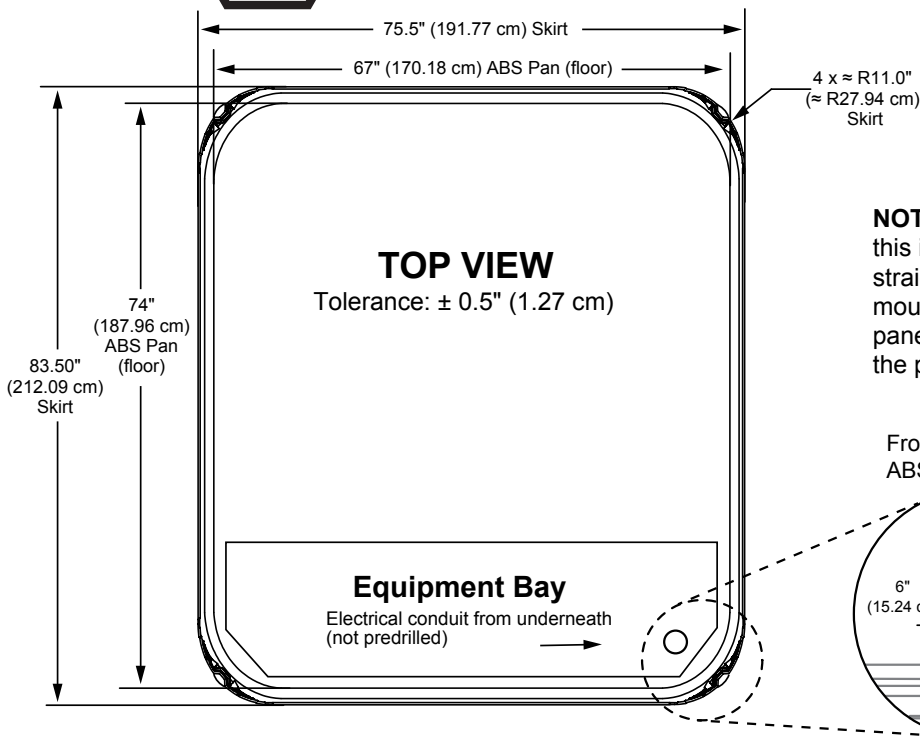
Dimensions/Specifications are Subject to Change Without Notice

Jacuzzi J-325

Dimensions



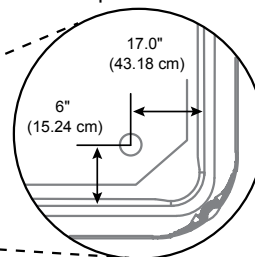
IMPORTANT! Always measure each hot tub for exact dimensions **BEFORE** designing its foundational support and/or decking.



Important Panel Details

NOTE: Over time the panel(s) may bow, this is considered normal. The panels will straighten out when reinstalled into the mounting channel. Place one end of the panel into the channel first then flatten the panel and insert the other end.

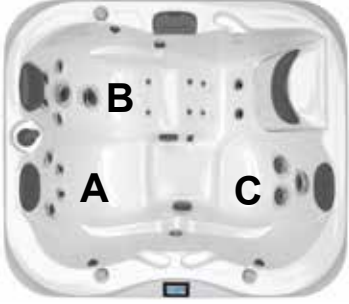
From the edge of the ABS pan



Dimensions/specifications subject to change without notice. Tolerance $\pm 0.5"$ (1.27 cm)

Jacuzzi J-315

Specifications

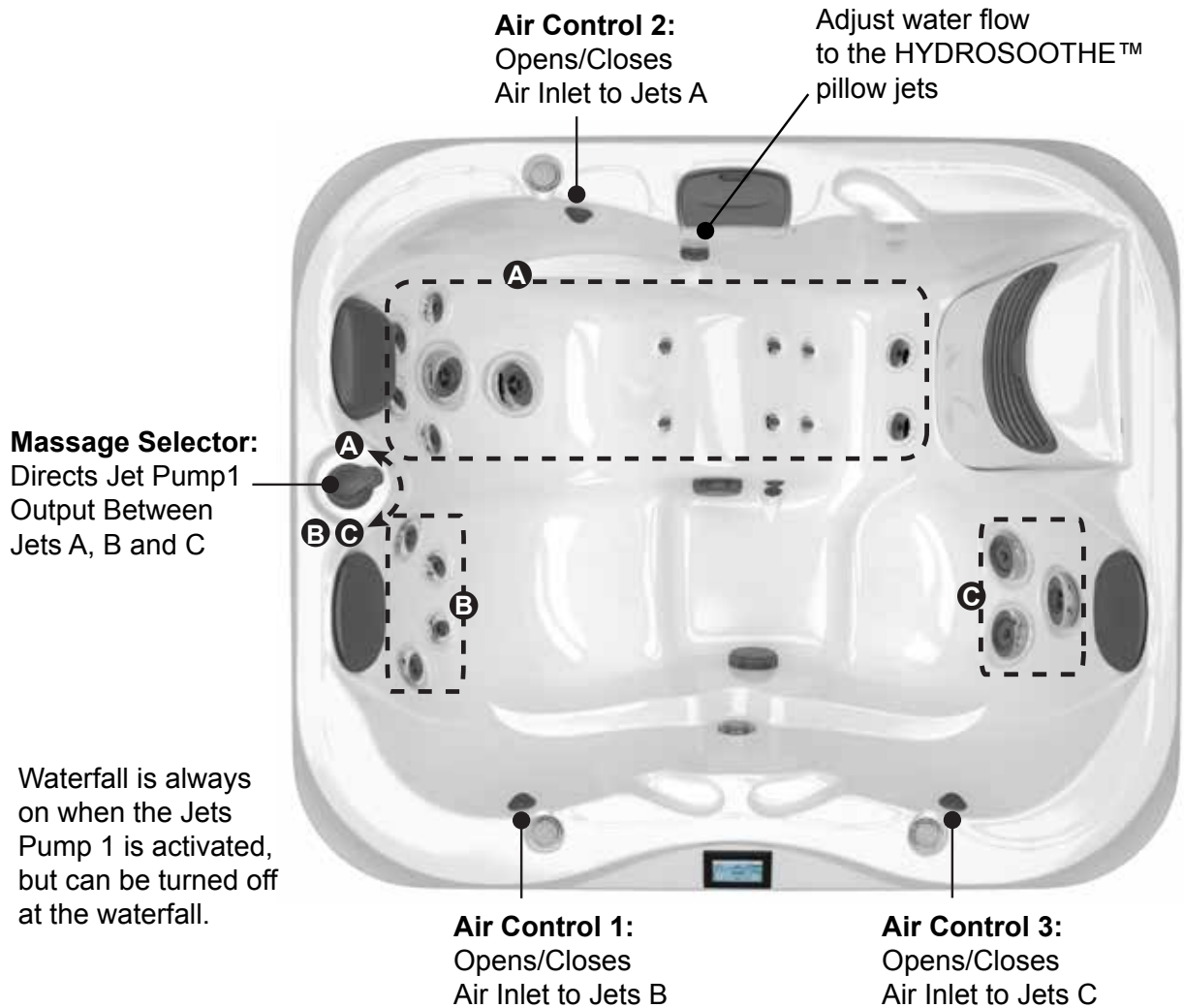
Seating Capacity	2-3 Adults	
Dimensions	66" x 76" x 31.75" (168 cm x 194 cm x 81 cm); For Complete Dimensions, See page 75	
Dry Weight	531 lbs (241 kg)	
Filled Weight (Average Fill)	2,282 lbs (1,036 kg)	
Water Capacity (Average Fill)	210 US gallons (795 Liters)	
Electronic Controls	Solid state electronic touchscreen controls, programmable temperature, filtration, and heat cycles	
Pump 1 (Convertible)	North America (60 Hz): 1-Speed, 2.5 HP brake, 1.5 HP continuous, 56 Frame	
(3-Wire 240V)	North America (60 Hz): 1-Speed, 4.8 HP brake, 2.5 HP continuous, 56 Frame	
Export (50 Hz):	1-Speed, 2.0 HP continuous	
Circulation Pump	Yes, 8-hour	
Heater (Convertible)	North America (60 Hz): 1 kW/4.0 kW Low Flow	
(3-Wire 240V)	North America (60 Hz): 4.0 kW Low Flow	
Export (50 Hz)	2.7 kW Low Flow	
Total Jacuzzi® PowerPro® Jets	23	
Seat A Jets	2 Jacuzzi® PowerPro® FX Rotational, 2 Jacuzzi® PowerPro® FX	
Seat B Jets	6 Jacuzzi® PowerPro® FX, 2 Jacuzzi® PowerPro® FX Large Rotational, 6 Jacuzzi® PowerPro® BX	
Seat B HYDROSOOTHE™ Jets	2 Jacuzzi® PowerPro® FX Directional with independent flow rate valve	
Seat C Jets	1 Jacuzzi® PowerPro® FX Large Rotational, 2 Jacuzzi® PowerPro® FX Large Rotational	
Massage Selectors	1	
Air Controls	3, On/Off rocker style	
Water Management System	Two 60 ft ² filter cartridges; filter 1 on 8-hour circulation pump; filter 2 on jets pump 1; Factory installed ClearRay Active Oxygen® System; Optional True Water® System	
Export (50 Hz):	ClearRay Active Oxygen® System	
LED Lighting	One underwater light with 4 color modes, one colored waterfall light, 2 HYDROSOOTHE pillow lights, and exterior lights	
ProFinish™ Cabinet Colors	Modern Hardwood, Brushed Gray, and Smoked Ebony	
Acrylic Colors	Platinum, Silver Pearl, Morning Mist, Midnight, Canyon, Monaco (while quantities last)	
Headrests	3	
Waterfall	One independent flow rate (on or off) adjustment; powered by the circulation pump	
Heater:	North America (60 Hz): Convertible: 1kW/4kW; 3-Wire 240V 5.5 kW, High Flow	
Export (50 Hz):	High Flow, 2.7 kW	
Electrical Requirements:	North America (60 Hz): Convertible 120 VAC@15A or 240 VAC@30A, 40A North America (60 Hz): 3-Wire 240V@30A, 40A Export (50 Hz): 220-240 VAC@1x16A, or 2x16A, or suitably rated circuit breaker to comply with local electrical codes. Certain countries may require dual power inputs; two GFCI RCD breakers are required for this configuration.	
Warranty*	North America (60 Hz): 10 Years Shell, 7 Years Shell Surface, 5 Years Plumbing Component Leaks, 5 Years Equipment and Controls, 5 Years Cabinet, 2 Years Jets, 2 Years Lights, 1 Year Stereo; Export (50 Hz): 10 Years Shell, 7 Years Shell Surface, 5 Years Plumbing Component Leaks, 5 Years Equipment and Controls, 5 Years Cabinet, 2 Years Jets, 2 Years Lights, 2 Years Stereo	
Special Features (Standard)	SmartTub® Module	
Export (50 Hz) (Optional): ..	SmartTub® Module	
Audio System (Optional)	BLUEWAVE® Spa Stereo System (Bluetooth/Aux compatible) with four speakers and subwoofer	

*(See Warranty Document for Specific Details)

Dimensions/Specifications are Subject to Change Without Notice

Jacuzzi J-315

Operation/Seat Depths



23 Total Jets

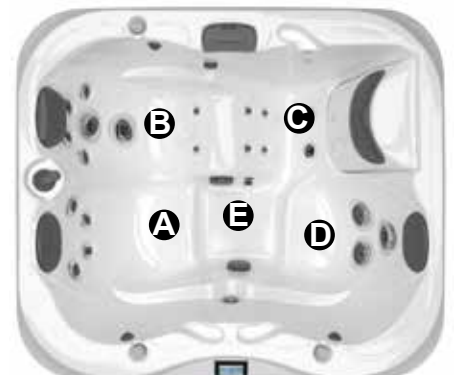


Spa Operation Subject to Change without Notice

Seat Depths

- A = 27.50" (69.9 cm)**
- B = 26.25" (66.7 cm)**
- C = 27.88" (70.8 cm)**
- D = 26.75" (69.4 cm)**
- E = 27.50" (69.9 cm)**

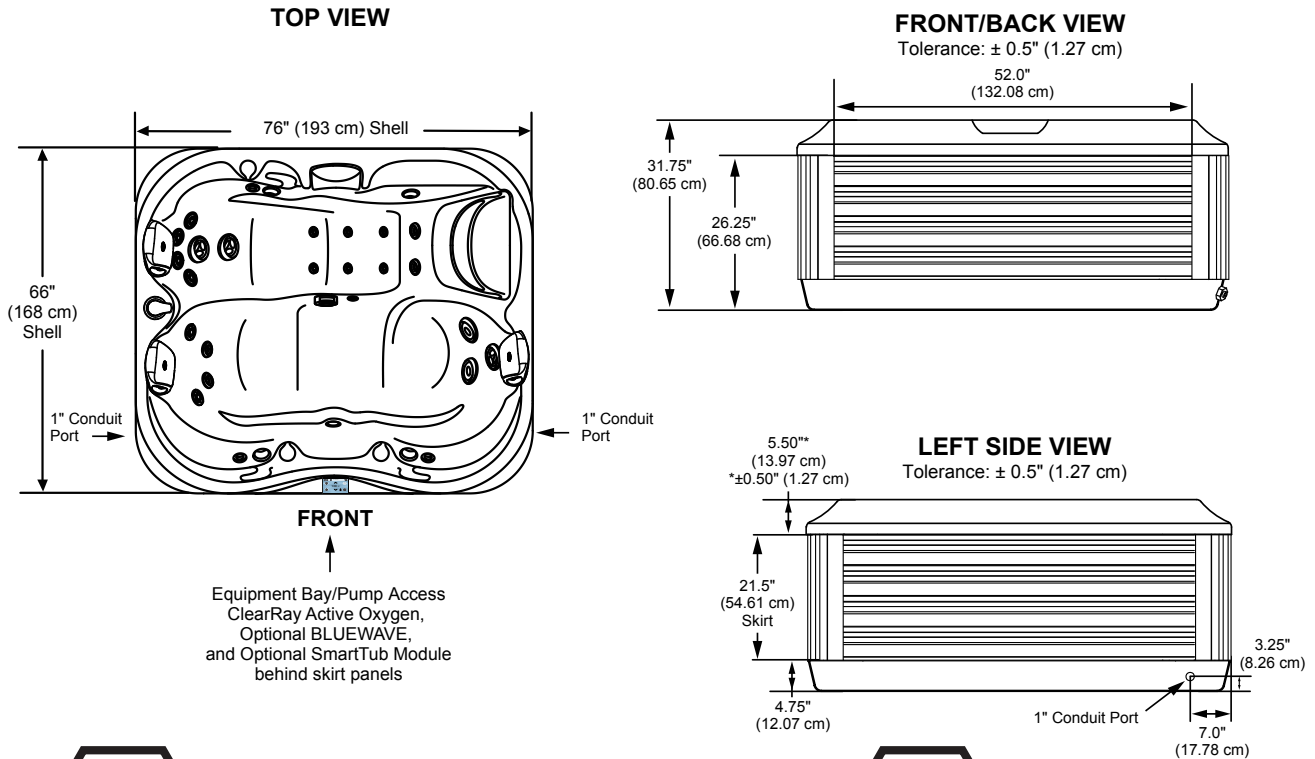
Listed dimensions
represent distance from
top of acrylic to lowest
point in seat. Tolerance
± 0.5" (1.27 cm).



Dimensions/Specifications are Subject to Change Without Notice

Jacuzzi J-315

Dimensions

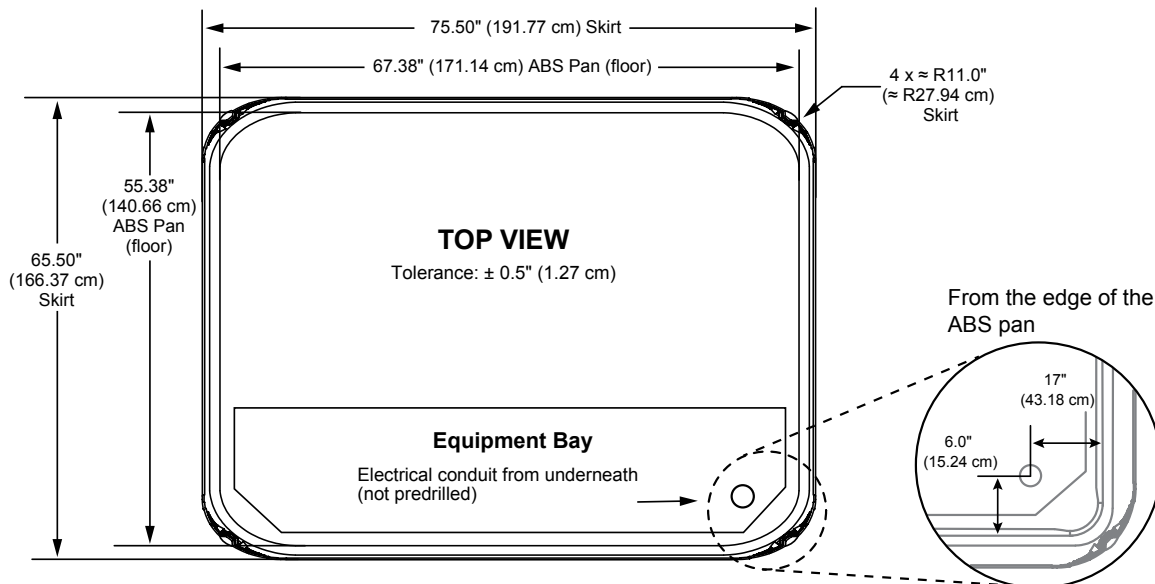


IMPORTANT! Always measure each hot tub for exact dimensions **BEFORE** designing its foundational support and/or decking.



Important Panel Details

NOTE: Over time the panel(s) may bow, this is considered normal. The panels will straighten out when reinstalled into the mounting channel. Place one end of the panel into the channel first then flatten the panel and insert the other end.



Dimensions/specifications subject to change without notice. Tolerance $\pm 0.5"$ (1.27 cm)

Jacuzzi J-285

Specifications

Seating Capacity	6-7 Adults
Dimensions	89" x 89" x 36" (227 cm x 227 cm x 92 cm); For Complete Dimensions, See page 76
Dry Weight	777 lbs (353 kg)
Filled Weight (Average Fill)	4,613 lbs (2,093 kg)
Water Capacity (Average Fill) ...	460 US gallons (1,742 Liters)
Electronic Controls	Solid state electronic controls with LED readout, programmable temperature, filtration, and heat cycles
Pump 1	North America (60 Hz): 2-Speed, 4.5 HP brake, 2.5 HP continuous, 56 Frame
Export (50 Hz):	N/A
Pump 2	North America (60 Hz): 1-Speed, 4.8 HP brake, 2.5 HP continuous, 56 Frame
Export (50 Hz):	N/A
Circulation Pump	No
Total Jets	42
Seat A Jets	2 SL Directional, 4 SL3R Rotational
Seat B Jets	2 SL5 Directional
Seat C Jets	2 SL Directional, 1 SL3 Directional, 8 SLR Rotational
Seat D Jets	1 SL5 Directional
Seat E Jets	2 SL Directional, 6 SL3 Directional
Seat F Jets	4 SL3R Rotational, 2 SL5R Rotational
Footwell (G)	8 SL Directional
Massage Selectors	None
Air Controls	2
Water Management System	One 50 ft ² filter cartridge on jets pump 1, ClearRay Active Oxygen® System
Export (50 Hz):	N/A
LED Lighting	LED Lighting System (Interior Surround); Standard Exterior Light
Cabinet Colors	Horizon Gray, Pecan
Acrylic Colors	Platinum, Silver Pearl, Morning Mist, Midnight, Canyon, Monaco (while quantities last)
Headrests	4
Waterfall	One independent flow rate (on or off) adjustment; powered by the pump 1
Heater:	North America (60 Hz): 5.5 kW, High Flow
Export (50 Hz):	N/A
Electrical Requirements:	North America (60 Hz): 240 VAC@40A, 50A or 60A Export (50 Hz): N/A
Warranty*	North America (60 Hz): 5 Years Shell, 3 Years Shell Surface, 3 Years Plumbing Component Leaks, 3 Years Equipment and Controls, 1 Year Cabinet, 1 Year Jets Export (50 Hz): N/A
Special Features (Optional)	SmartTub® Module
Audio System (Optional)	N/A



*(See Warranty Document for Specific Details)

Dimensions/Specifications are Subject to Change Without Notice

Jacuzzi J-285

Operation/Seat Depths



Group A Jets are always on when Pump 1 is running.

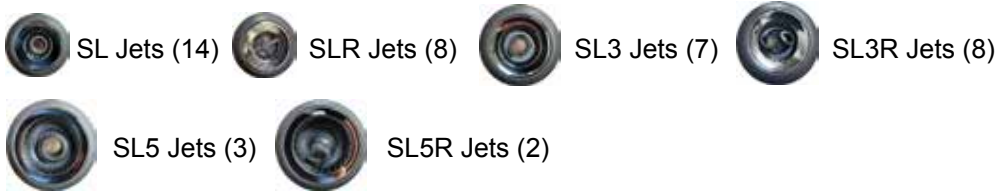
Group B Jets are always on when Pump 2 is running.

Air Control 1:
Opens/Closes Air Inlet to Jet Group A

Waterfall Valve:
Adjust water flow to the waterfall.

Air Control 2:
Opens/Closes Air Inlet to Jet Group B

42 Total Jets



Spa Operation Subject to Change without Notice

Seat Depths

A = 26.00" (66.04 cm)
B = 21.75" (55.25 cm)
C = 25.00" (63.50 cm)
D = 21.63" (54.93 cm)
E = 27.00" (68.58 cm)
F = 18.00" (45.72 cm)

G = 23.25" (59.06 cm)
H = 17.25" (43.82 cm)
I = 30.00" (76.20 cm)

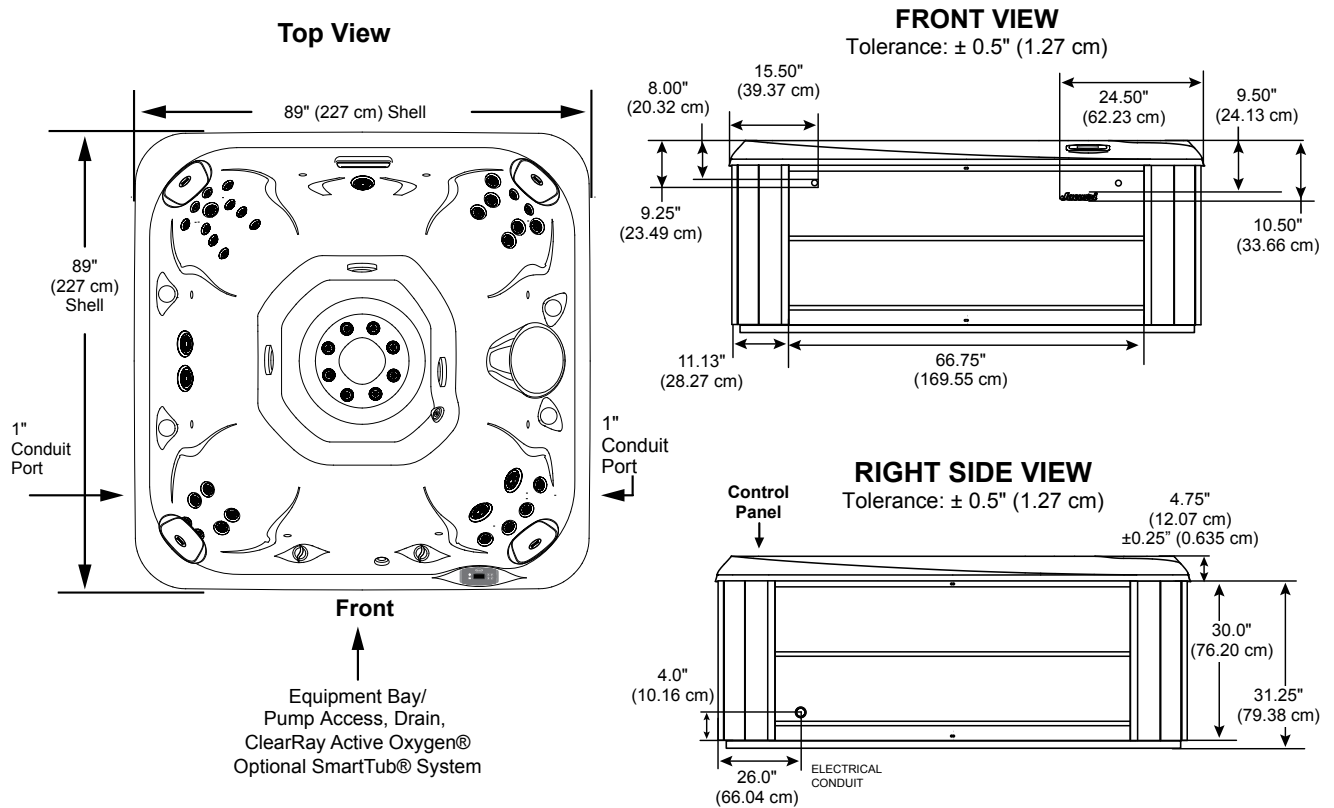
Listed dimensions represent distance from top of acrylic to lowest point in seat. Tolerance $\pm 0.5"$ (1.27 cm).



Dimensions/Specifications are Subject to Change Without Notice

Jacuzzi J-285

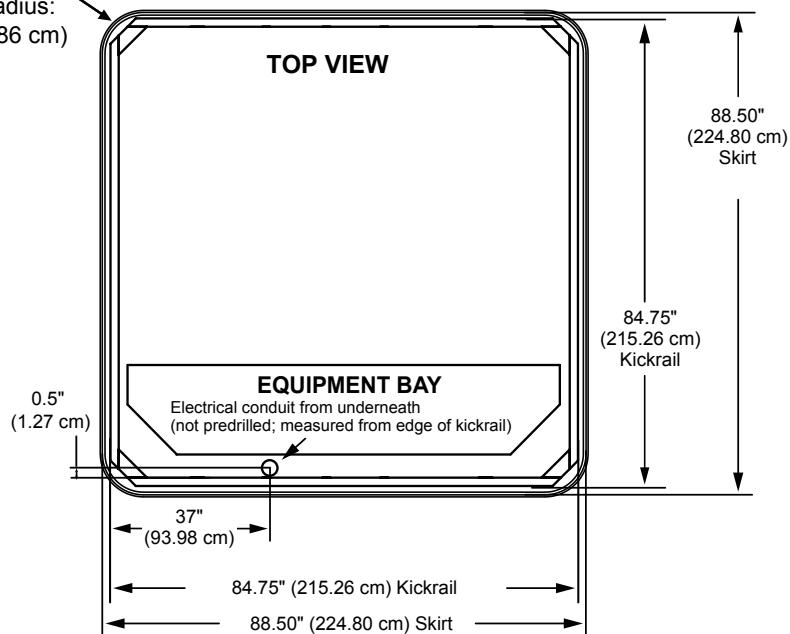
Dimensions



IMPORTANT! Always measure each hot tub for exact dimensions BEFORE designing its foundational support and/or decking.



Cabinet Radius:
 ≈ 9.0" (22.86 cm)



Dimensions/specifications subject to change without notice. Tolerance: ± 0.5" (1.27 cm)

Dimensions/specifications subject to change without notice. Tolerance ±0.5" (1.27 cm)

Jacuzzi J-245

Specifications

Seating Capacity	6-7 Adults
Dimensions	84" x 84" x 36" (214 cm x 214 cm x 92 cm); For Complete Dimensions, See page 76
Dry Weight	717 lbs (326 kg)
Filled Weight (Average Fill)	3,719 lbs (1,687 kg)
Water Capacity (Average Fill) ...	360 US gallons (1,363 Liters)
Electronic Controls	Solid state electronic controls with LED readout, programmable temperature, filtration, and heat cycles
Pump 1	North America (60 Hz): 2-Speed, 4.5 HP brake, 2.5 HP continuous, 56 Frame Export (50 Hz): 2-Speed, 2.0 HP continuous
Pump 2	North America (60 Hz): 1-Speed, 4.8 HP brake, 2.5 HP continuous, 56 Frame Export (50 Hz): 1-Speed, 2.0 HP continuous
Circulation Pump	No
Total Jets	37
Seat A	2 SL Directional, 8 SLR Rotational, 1 SL3 Directional
Seat B	1 SL3R Rotational
Seat C	2 SL Directional, 6 SL3 Directional
Seat D	2 SL3R Rotational
Seat E	2 SL3 Directional, 1 SL5R Rotational
Seat F	2 SL Directional, 4 SL3R Rotational
Footwell (G)	4 SL Directional
Massage Selectors	None
Air Controls	2
Water Management System	One 50 ft ² filter cartridge on jets pump 1, ClearRay Active Oxygen® System Export (50 Hz): ClearRay Active Oxygen® System
LED Lighting	LED Lighting System (Interior Surround); Standard Exterior Light
Cabinet Colors	Horizon Gray, Pecan
Acrylic Colors	Platinum, Silver Pearl, Morning Mist, Midnight, Canyon, Monaco (while quantities last)
Headrests	4
Waterfall	One independent flow rate (on or off) adjustment; powered by the pump 1
Heater:	North America (60 Hz): 5.5 kW, High Flow Export (50 Hz): High Flow, 2.7 kW
Electrical Requirements:	North America (60 Hz): 240 VAC@40A, 50A or 60A Export (50 Hz): 220-240 VAC@1x16A, 1x32A or 2 out of 3-phase (see manual) or suitably rated circuit breaker to comply with local electrical codes. Certain countries may require dual power inputs; two GFCI RCD breakers are required for this configuration.
Warranty*	North America (60 Hz): 5 Years Shell, 3 Years Shell Surface, 3 Years Plumbing Component Leaks, 3 Years Equipment and Controls, 1 Year Cabinet, 1 Year Jets Export (50 Hz): 5 Years Shell, 3 Years Shell Surface, 3 Years Plumbing Component Leaks, 3 Years Equipment and Controls, 1 Year Cabinet, 1 Year Jets
Special Features (Optional)	SmartTub® Module
Audio System (Optional)	N/A



*(See Warranty Document for Specific Details)

Dimensions/Specifications are Subject to Change Without Notice

Jacuzzi J-245

Operation/Seat Depths



Group A Jets are always on when Pump 1 is running.

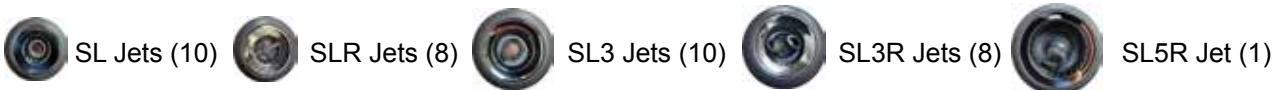
Group B Jets are always on when Pump 2 is running.

Air Control 1:
Opens/Closes Air Inlet to Jet Group A

Waterfall Valve:
Adjust water flow to the waterfall.

Air Control 2:
Opens/Closes Air Inlet to Jet Group B

37 Total Jets



Spa Operation Subject to Change without Notice

Seat Depths

A = 25.88" (65.72 cm)
B = 20.63" (52.39 cm)
C = 26.75" (67.95 cm)
D = 21.63" (54.93 cm)
E = 24.63" (62.55 cm)
F = 18.25" (46.36 cm)

G = 23.38" (59.37 cm)
H = 17.13" (43.50 cm)
I = 30.00" (76.20 cm)

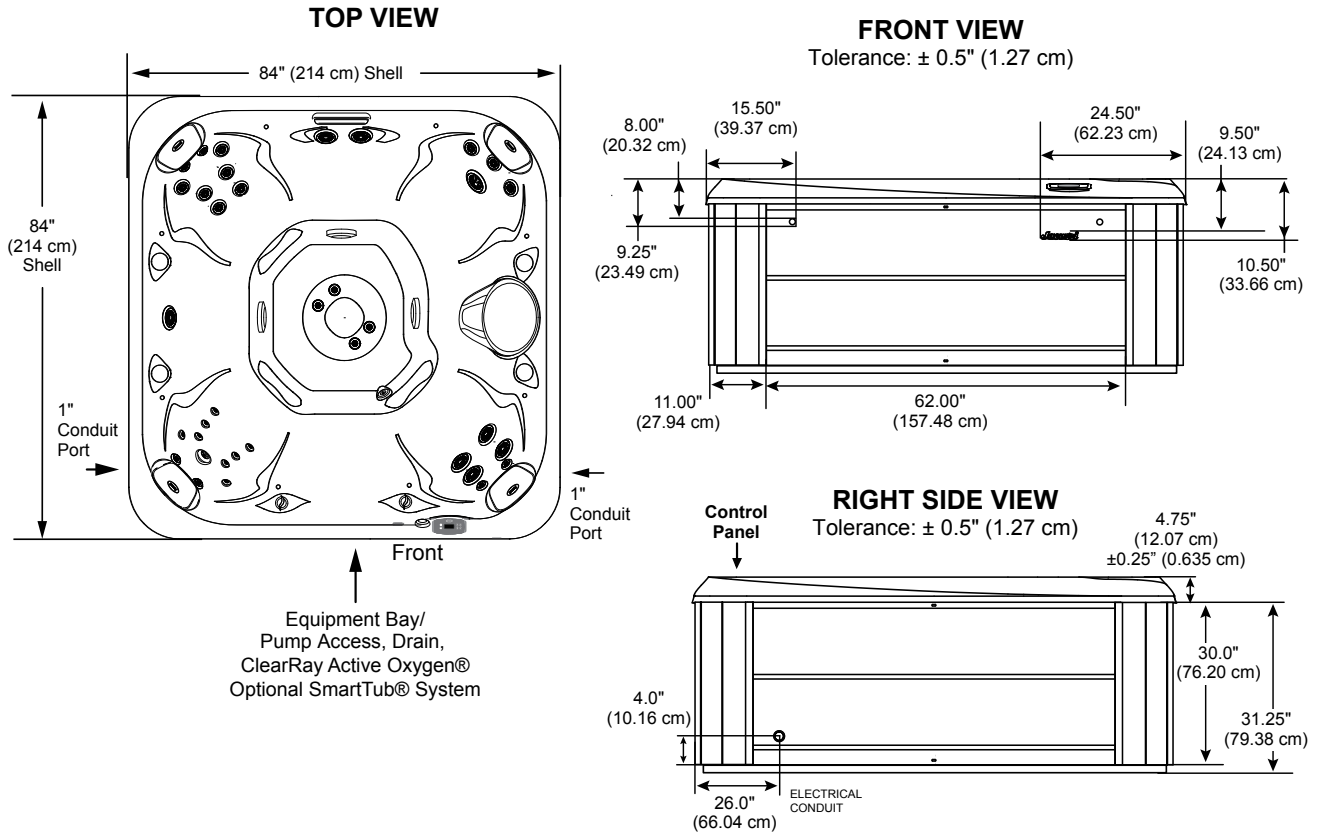
Listed dimensions represent distance from top of acrylic to lowest point in seat. Tolerance $\pm 0.5"$ (1.27 cm).



Dimensions/Specifications are Subject to Change Without Notice

Jacuzzi J-245

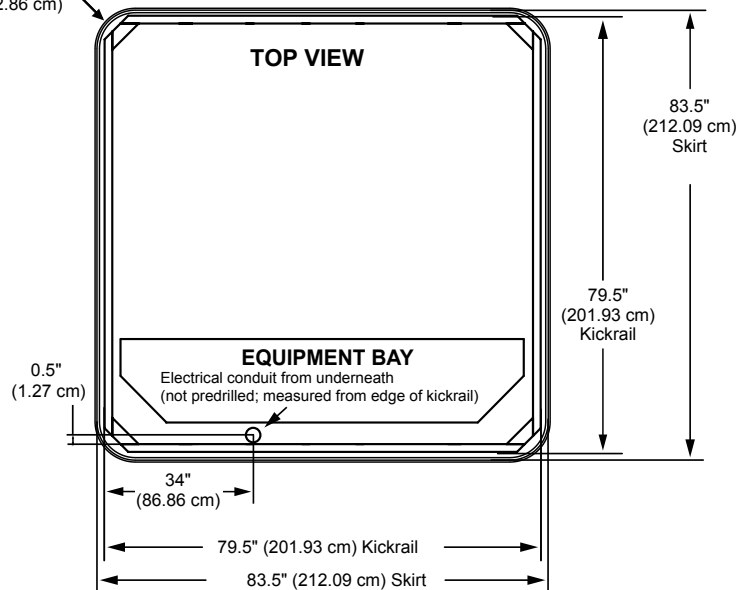
Dimensions



IMPORTANT! Always measure each hot tub for exact dimensions BEFORE designing its foundational support and/or decking.



Cabinet Radius:
 $\approx 9.0"$ (22.86 cm)

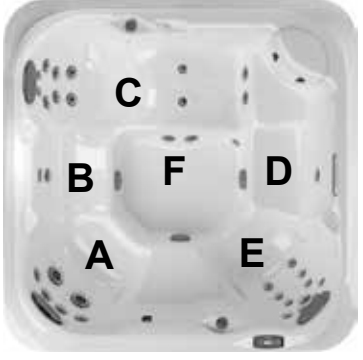


Dimensions/specifications subject to change without notice. Tolerance: $\pm 0.5"$ (1.27 cm)

Dimensions/specifications subject to change without notice. Tolerance $\pm 0.5"$ (1.27 cm)

Jacuzzi J-235

Specifications

Seating Capacity	5-6 Adults	
Dimensions	84" x 84" x 36" (214 cm x 214 cm x 92 cm); For Complete Dimensions, See page 76	
Dry Weight	726 lbs (330 kg)	
Filled Weight (Average Fill)	3,728 lbs (1,692 kg)	
Water Capacity (Average Fill) ...	360 US gallons (1,363 Liters)	
Electronic Controls	Solid state electronic controls with LED readout, programmable temperature, filtration, and heat cycles	
Pump 1	North America (60 Hz): 2-Speed, 4.5 HP brake, 2.5 HP continuous, 56 Frame	
Export (50 Hz):	2-Speed, 2.0 HP continuous	
Pump 2	North America (60 Hz): 1-Speed, 4.8 HP brake, 2.5 HP continuous, 56 Frame	
Export (50 Hz):	1-Speed, 2.0 HP continuous	
Circulation Pump	No	
Total Jets	34	
Seat A Jets	4 SL3R Rotational, 2 SL5R Rotational	
Seat B Jets	2 SL3R Rotational	
Seat C Jets	2 SLR Rotational, 2 SL Directional, 8 SL3 Directional	
Seat D Jet	1 SL3R Rotational	
Seat E Jets	2 SLR Rotational, 8 SL Directional, 1 SL3 Directional	
Footwell (G)	2 SL3 Directional	
Massage Selectors	None	
Air Controls	2	
Water Management System	One 50 ft ² filter cartridge on jets pump 1, ClearRay Active Oxygen® System	
Export (50 Hz):	ClearRay Active Oxygen® System	
LED Lighting	LED Lighting System (Interior Surround); Standard Exterior Light	
Cabinet Colors	Horizon Gray, Pecan	
Acrylic Colors	Platinum, Silver Pearl, Morning Mist, Midnight, Canyon, Monaco (while quantities last)	
Headrests	3	
Waterfall	One independent flow rate (on or off) adjustment; powered by the pump 1	
Heater:	North America (60 Hz): 5.5 kW, High Flow	
Export (50 Hz):	High Flow, 2.7 kW	
Electrical Requirements:	North America (60 Hz): 240 VAC@40A, 50A or 60A Export (50 Hz): 220-240 VAC@1x16A, 1x32A or 2 out of 3-phase (see manual) or suitably rated circuit breaker to comply with local electrical codes. Certain countries may require dual power inputs; two GFCI RCD breakers are required for this configuration.	
Warranty*	North America (60 Hz): 5 Years Shell, 3 Years Shell Surface, 3 Years Plumbing Component Leaks, 3 Years Equipment and Controls; 1 Year Cabinet, 1 Year Jets Export (50 Hz): 5 Years Shell, 3 Years Shell Surface, 3 Years Plumbing Component Leaks, 3 Years Equipment and Controls, 1 Year Cabinet, 1 Year Jets	
Special Features (Optional)	SmartTub® Module	
Audio System (Optional)	N/A	

*(See Warranty Document for Specific Details)

Dimensions/Specifications are Subject to Change Without Notice

Jacuzzi J-235

Operation/Seat Depths



Group A Jets are always on when Pump 1 is running.

Group B Jets are always on when Pump 2 is running.

34 Total Jets



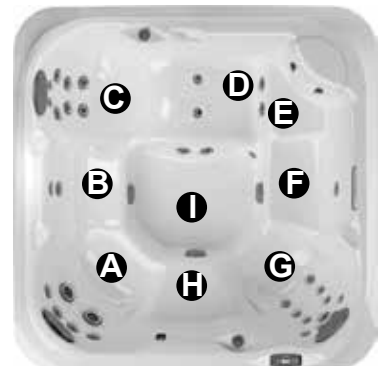
Spa Operation Subject to Change without Notice

Seat Depths

- A = 23.25" (59.06 cm)
- B = 20.75" (52.71 cm)
- C = 24.88" (63.18 cm)
- D = 25.50" (64.77 cm)
- E = 17.50" (44.45 cm)
- F = 21.50" (54.61 cm)

- G = 25.63" (65.09 cm)
- H = 17.00" (43.18 cm)
- I = 30.00" (76.20 cm)

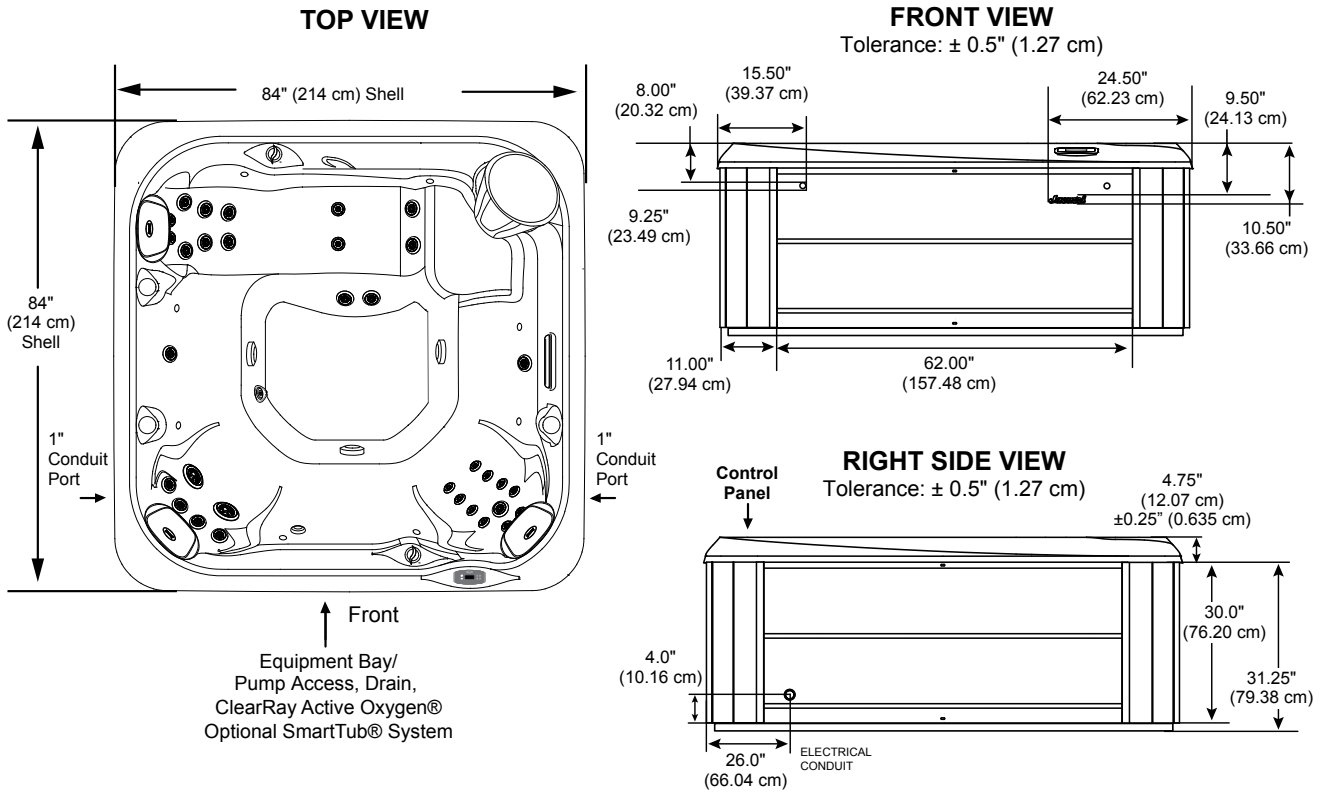
Listed dimensions represent distance from top of acrylic to lowest point in seat. Tolerance $\pm 0.5"$ (1.27 cm).



Dimensions/Specifications are Subject to Change Without Notice

Jacuzzi J-235

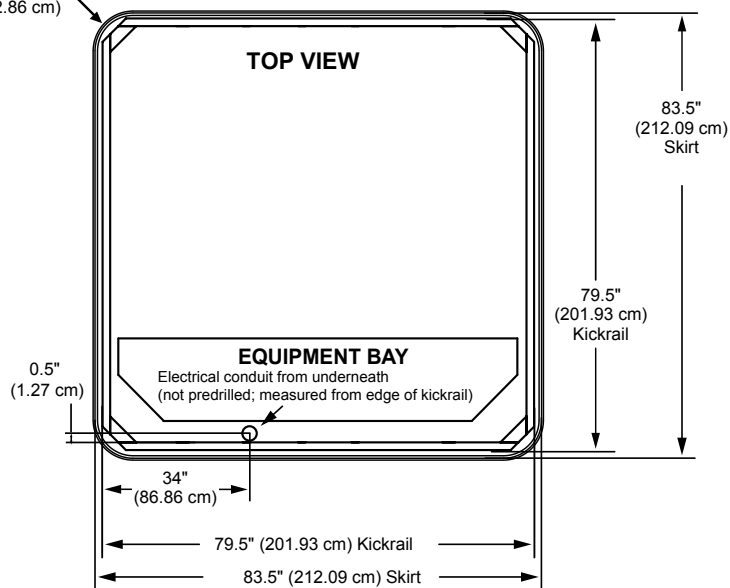
Dimensions



IMPORTANT! Always measure each hot tub for exact dimensions BEFORE designing its foundational support and/or decking.



Cabinet Radius:
≈ 9.0" (22.86 cm)



Dimensions/specifications subject to change without notice. Tolerance: ± 0.5" (1.27 cm)

Dimensions/specifications subject to change without notice. Tolerance ±0.5" (1.27 cm)

Jacuzzi J-225

Specifications

Seating Capacity.....	6-7 Adults
Dimensions	80" x 80" x 33" (204 cm x 204 cm x 84 cm); For Complete Dimensions, See page 76
Dry Weight.....	619 lbs (281 kg)
Filled Weight (Average Fill).....	3,571 lbs (1,620 kg)
Water Capacity (Average Fill) ...	354 US gallons (1,341 Liters)
Electronic Controls	Solid state electronic controls with LED readout, programmable temperature, filtration, and heat cycles
Pump 1.....	North America (60 Hz): 2-Speed, 2.5 HP brake, 1.5 HP continuous, 48 Frame Export (50 Hz): 2-Speed, 2.0 HP continuous
Circulation Pump.....	No
Total Jets	26
Seat A Jets	3 SL3 Directional, 1 SL5R Rotational
Seat B Jets	1 SLR Rotational, 1 SL3 Directional, 8 SL Directional
Seat C Jet	1 SL3R Rotational
Seat D Jets	6 SL3 Directional
Seat E Jets	4 SL3R Rotational
Massage Selectors	None
Air Controls.....	2
Water Management System	One 50 ft ² filter cartridge on jets pump 1, ClearRay Active Oxygen® System Export (50 Hz):..... ClearRay Active Oxygen® System
LED Lighting	LED Lighting System (Interior Surround); Standard Exterior Light
Cabinet Colors	Horizon Gray, Pecan
Acrylic Colors	Platinum, Silver Pearl, Morning Mist, Midnight, Canyon, Monaco (while quantities last)
Headrests	4
Heater:	North America (60 Hz): 120V 1kW or 240V 4.0 kW, High Flow Export (50 Hz): High Flow, 2.7 kW
Electrical Requirements:	North America (60 Hz): 120V@15A (GFCI cord) 240 VAC@30A or 40A Export (50 Hz): 220-240 VAC@1x16A, 1x32A or 2 out of 3-phase (see manual) or suitably rated circuit breaker to comply with local electrical codes. Certain countries may require dual power inputs; two GFCI RCD breakers are required for this configuration.
Warranty*.....	North America (60 Hz): 5 Years Shell, 3 Years Shell Surface, 3 Years Plumbing Component Leaks, 3 Years Equipment and Controls; 1 Year Cabinet, 1 Year Jets Export (50 Hz): 5 Years Shell, 3 Years Shell Surface, 3 Years Plumbing Component Leaks, 3 Years Equipment and Controls, 1 Year Cabinet, 1 Year Jets
Special Features (Optional)	SmartTub® Module
Audio System (Optional).....	N/A



*(See Warranty Document for Specific Details)

Dimensions/Specifications are Subject to Change Without Notice

Jacuzzi J-225

Operation/Seat Depths



Jets are always on when the Jets Pump 1 is running.

Air Control 1:
Opens/Closes
Air Inlet to Jet
Group A

Air Control 2:
Opens/Closes
Air Inlet to Jet
Group B

26 Total Jets



SL Jets (8)



SLR Jets (2)



SL3 Jets (10)



SL3R Jets (5)



SL5R Jets (1)

Spa Operation Subject to Change without Notice

Seat Depths

A = 23.50" (59.69 cm)

B = 21.00" (53.34 cm)

C = 27.25" (69.22 cm)

D = 21.88" (55.56 cm)

E = 23.88" (60.64 cm)

F = 21.50" (54.61 cm)

G = 26.00" (66.04 cm)

H = 17.50" (44.45 cm)

I = 28.00" (71.12 cm)

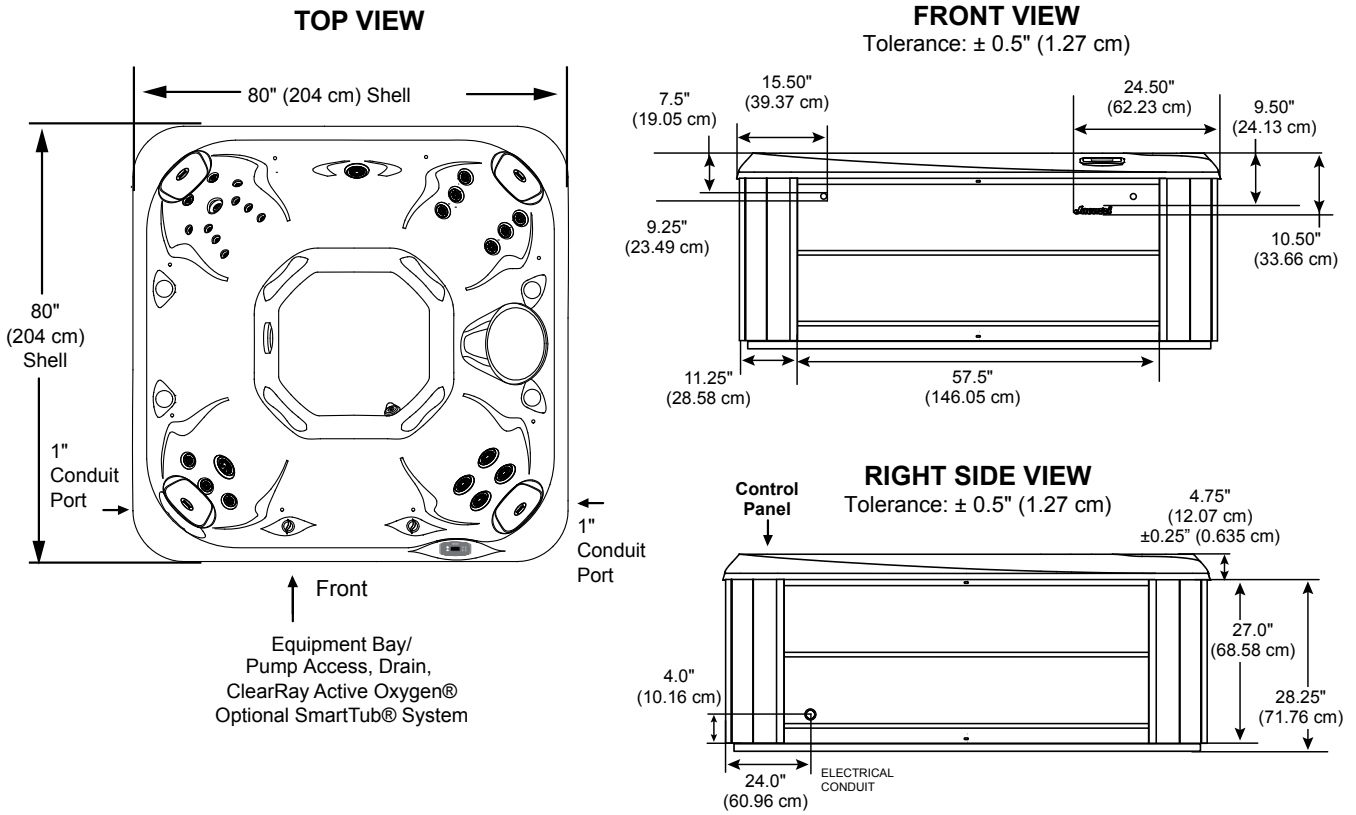
Listed dimensions represent distance from top of acrylic to lowest point in seat. Tolerance $\pm 0.5"$ (1.27 cm).



Dimensions/Specifications are Subject to Change Without Notice

Jacuzzi J-225

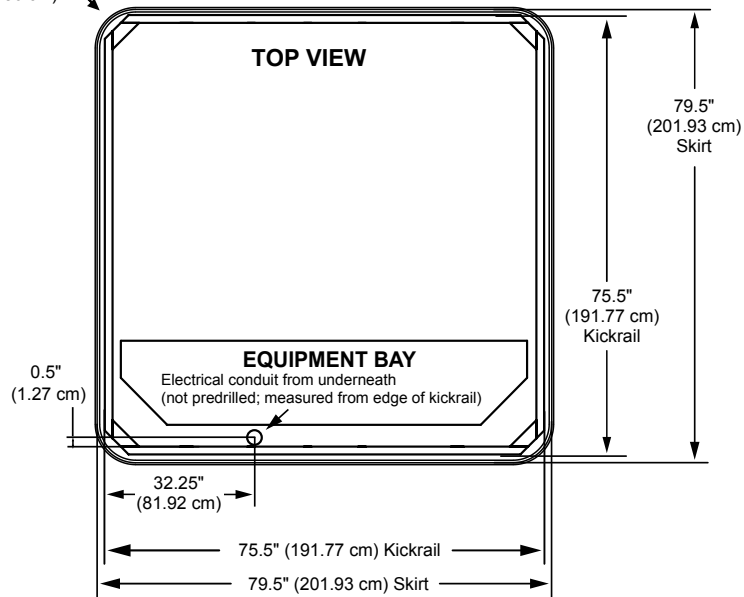
Dimensions



IMPORTANT! Always measure each hot tub for exact dimensions BEFORE designing its foundational support and/or decking.



Cabinet Radius:
 $\approx 9.0"$ (22.86 cm)

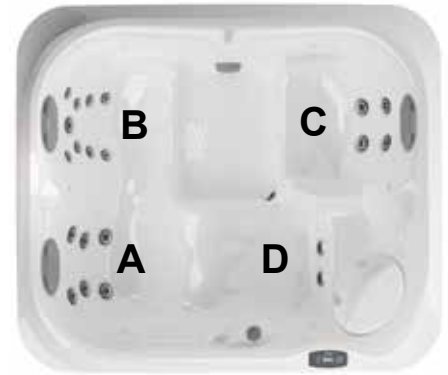


Dimensions/specifications subject to change without notice. Tolerance: $\pm 0.5"$ (1.27 cm)
Dimensions/specifications subject to change without notice. Tolerance $\pm 0.5"$ (1.27 cm)

Jacuzzi J-215

Specifications

Seating Capacity	2-3 Adults
Dimensions	69" x 80" x 33" (176 cm x 204 cm x 84 cm); For Complete Dimensions, See page 76
Dry Weight	517 lbs (235 kg)
Filled Weight (Average Fill)	2,352 lbs (1,067 kg)
Water Capacity (Average Fill) ...	220 US gallons (833 Liters)
Electronic Controls	Solid state electronic controls with LED readout, programmable temperature, filtration, and heat cycles
Pump 1	North America (60 Hz): 2-Speed, 2.5 HP brake, 1.5 HP continuous, 48 Frame
Export (50 Hz):	2-Speed, 2.0 HP continuous on the completes
Circulation Pump	No
Total Jets	21
Seat A Jets	6 SLR Rotational
Seat B Jets	1 SLR Rotational, 8 SL Directional
Seat C Jets	4 SL3R Rotational
Footwell (D) Jets	2 SLR Rotational
Massage Selectors	None
Air Controls	1
Water Management System	One 50 ft ² filter cartridge on jets pump 1, ClearRay Active Oxygen® System
Export (50 Hz):	ClearRay Active Oxygen® System
LED Lighting	LED Lighting System (Interior Surround); Standard Exterior Light
Cabinet Colors	Horizon Gray, Pecan
Acrylic Colors	Platinum, Silver Pearl, Morning Mist, Midnight, Canyon, Monaco (while quantities last)
Headrests	3
Heater:	North America (60 Hz): 120V 1kW or 240V 4.0 kW, High Flow
Export (50 Hz):	High Flow, 2.7 kW
Electrical Requirements:	North America (60 Hz): 120V@15A (GFCI cord) 240 VAC@30A or 40A Export (50 Hz): 220-240 VAC@1x16A, 1x32A or 2 out of 3-phase (see manual) or suitably rated circuit breaker to comply with local electrical codes. Certain countries may require dual power inputs; two GFCI RCD breakers are required for this configuration.
Warranty*	North America (60 Hz): 5 Years Shell, 3 Years Shell Surface, 3 Years Plumbing Component Leaks, 3 Years Equipment and Controls; 1 Year Cabinet, 1 Year Jets Export (50 Hz): 5 Years Shell, 3 Years Shell Surface, 3 Years Plumbing Component Leaks, 3 Years Equipment and Controls, 1 Year Cabinet, 1 Year Jets
Special Features (Optional)	SmartTub® Module
Audio System (Optional)	N/A



*(See Warranty Document for Specific Details)

Dimensions/Specifications are Subject to Change Without Notice

Jacuzzi J-215

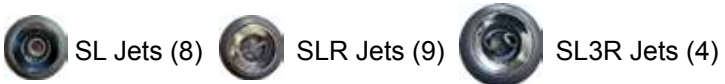
Operation/Seat Depths



Air Control 1:
Opens/Closes
Air Inlet to Jets A

Jets are always on
when the Jets Pump 1
is running.

21 Total Jets



Spa Operation Subject to Change without Notice

Seat Depths

A = 25.13" (63.82 cm)

D = 18.00" (45.72 cm)

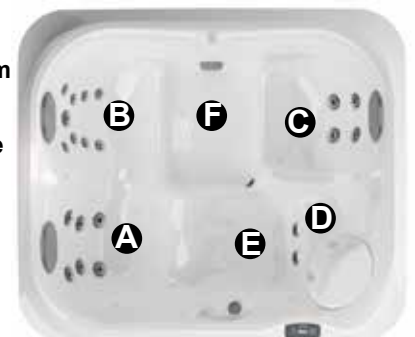
B = 26.00" (66.04 cm)

E = 25.75" (65.41 cm)

C = 23.50" (59.69 cm)

F = 27.63" (70.17 cm)

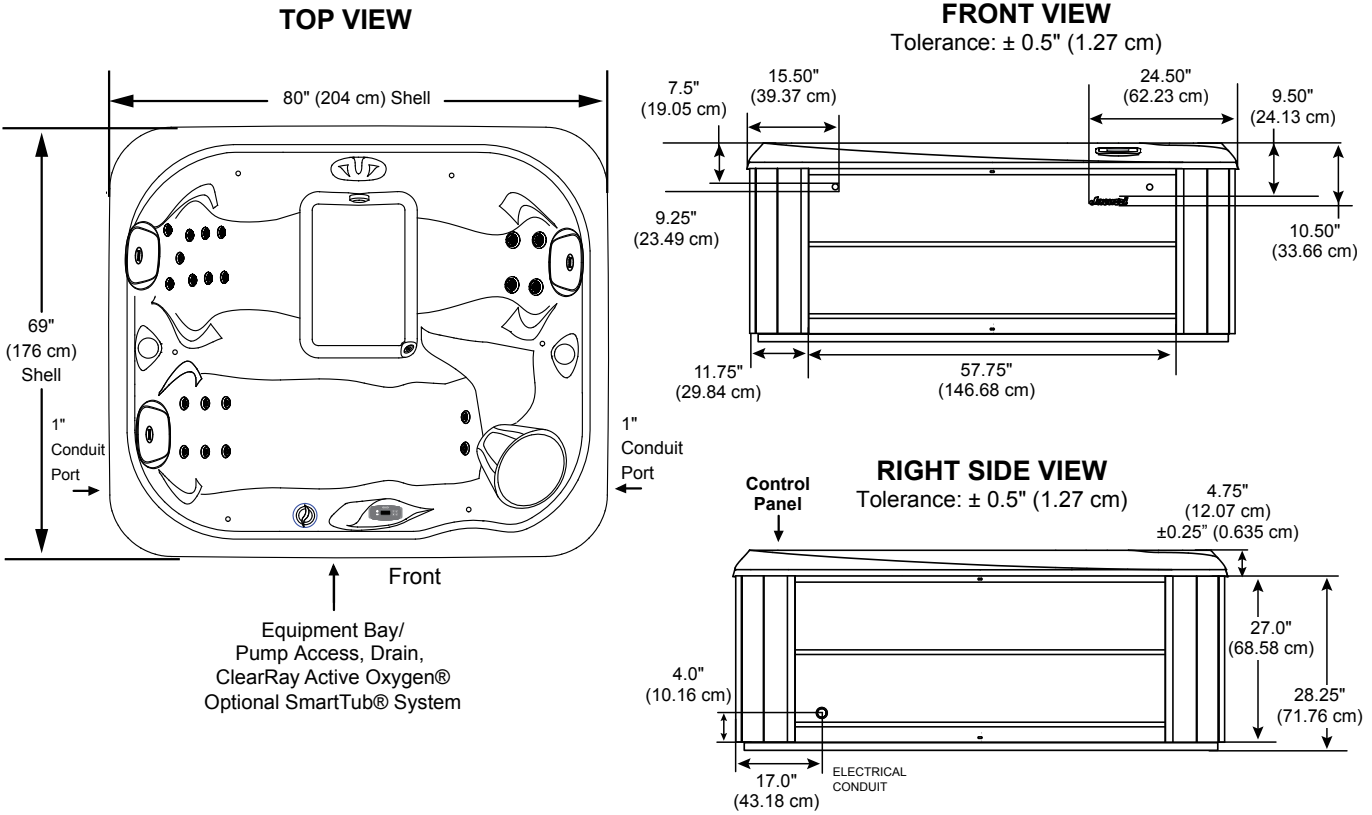
Listed dimensions
represent distance from
top of acrylic to lowest
point in seat. Tolerance
 $\pm 0.5"$ (1.27 cm).



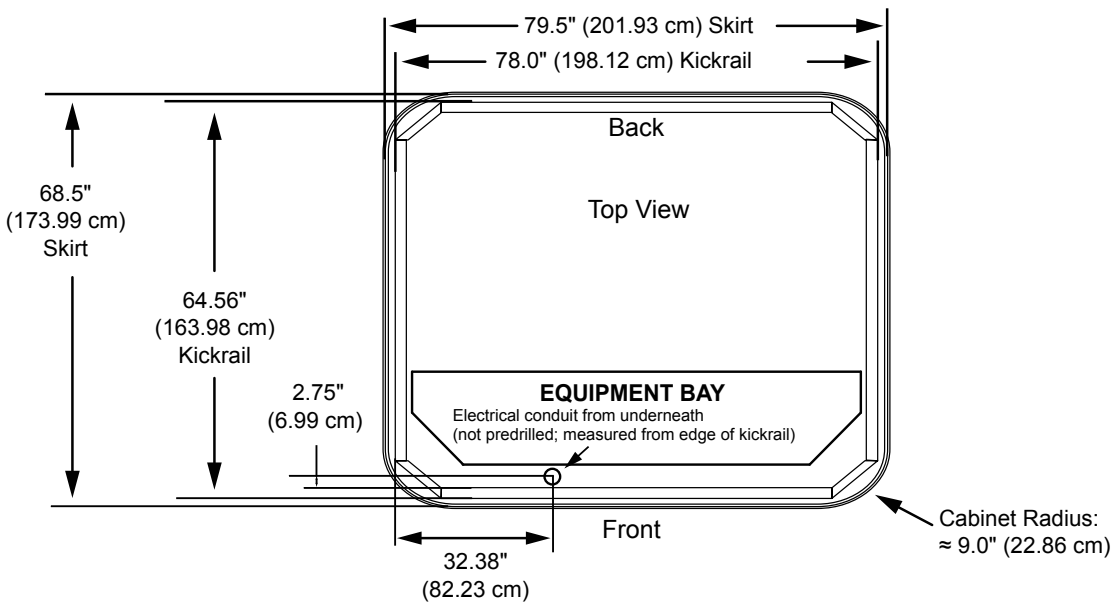
Dimensions/Specifications are Subject to Change Without Notice

Jacuzzi J-215

Dimensions



STOP **IMPORTANT! Always measure each hot tub for exact dimensions BEFORE designing its foundational support and/or decking.** **STOP**



Dimensions/specifications subject to change without notice. Tolerance: ± 0.5" (1.27 cm)
 Dimensions/specifications subject to change without notice. Tolerance ±0.5" (1.27 cm)

Soul 30™ Jets

Specifications

Seating Capacity	6 Adults
Dimensions	78" x 78" x 36" (198 cm x 198 cm x 91 cm);
Filled Weight (Spa Volume)	3,864 lbs (1,753 kg)
Filled Weight (Average Fill)	2,971 lbs (1,348 kg)
Water Capacity (Spa Volume) ...	417 US gallons (1,579 Liters)
Water Capacity (Average Fill) ...	310 US gallons (1,173 Liters)
Electronic Controls	Digital Touch Controller. Offers customizing of cleaning cycles and water temperature setting.
Pump 1	North America (60 Hz): 2-Speed, 2.0 HP
Export (50 Hz):	2-Speed, 1.5 HP
Pump 2	N/A
Export (50 Hz):	N/A
Circulation Pump	N/A
Total Jets	30
Seat A Jets	6 DirectionalMax1, 6 DirectionalMax2
Seat B Jets	1 DirectionalMax1
Seat C Jets	6 DirectionalMax2
Seat D Jets	2 DirectionalMax1
Seat E Jets	4 DirectionalMax1, 2 DirectionalMax2
Seat F Jets	1 DirectionalMax1
Footwell (G)	2 DirectionalMax1
Massage Selectors	N/A
Air Controls	2
Water Management System	One Easy Klean 30 ft ² filter cartridge; Optional factory installed Ozone
Export (50 Hz):	Optional factory installed Ozone
LED Lighting	Multicolor Waterfall light; Footwell light, Exterior corner lights (8 qty)
Shell/Cabinet Colors	Mystic Sparkle and Glacier Sparkle
Headrests	3
Waterfalls	One with independent flow rate (on or off) adjustment; powered by pump 1
Heater:	Hi Flow 1.0kW/4kW
Export (50 Hz):	Hi Flow 3.0kW
Electrical Requirements:	North America (60 Hz): Convertible 120 VAC@15A or 240 VAC@30A, 40A
	Export (50 Hz): 220-240V@1x16A, 1X32A
Warranty*	North America (60 Hz): 5 Years Shell, 1 Year Plumbing Components, 1 Year Electrical Components, 1 Year Insulating Cover, 1 Year Labor;
	Export (50 Hz): 5 Years Shell, 2 Years Plumbing Components, 2 Years Electrical Components, 2 Years Insulating Cover, 2 Years Labor;
Special Features	Optional Suite Package Add-On

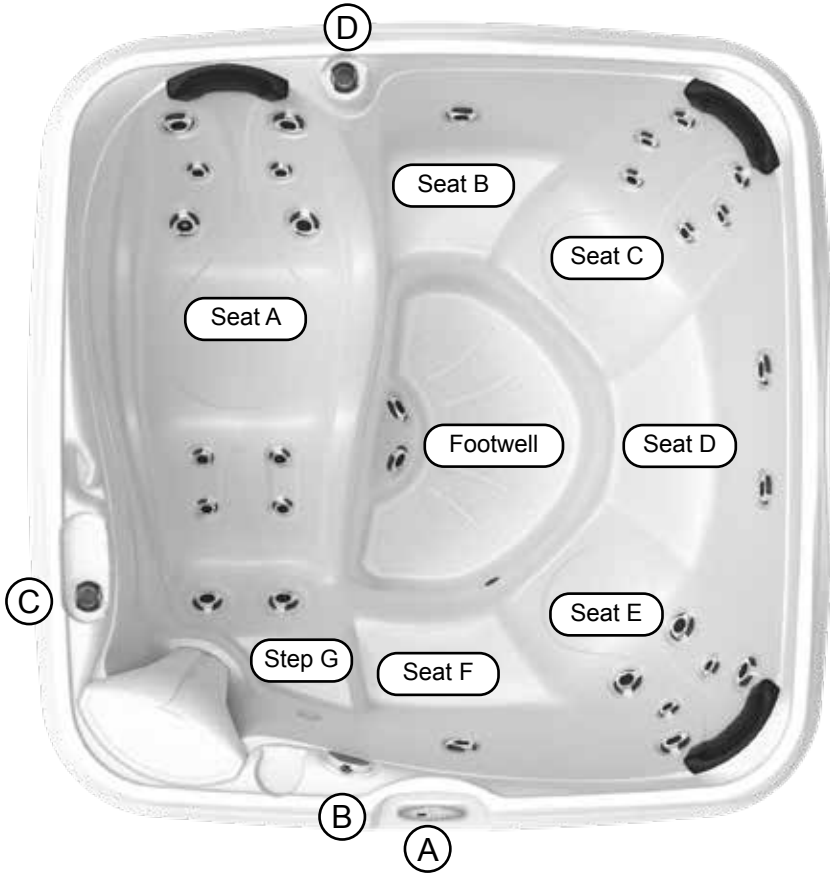


*(See Warranty Document for Specific Details)

Dimensions/Specifications are Subject to Change Without Notice

Soul 30 Jets

Operation/Seat Depths



- (A) Topside Control - Activate Jet Pump, Light and Control Water Temperature
 - (B) Water Feature Control - Controls Water Feature Output.
 - (C) Air Control - Activates Seat A Jets (6 DirectionalMax1 Jets, 6 DirectionalMax2 Jets)
 - (D) Air Control - Activates Seat B Jets (1 DirectionalMax1 Jet), Seat C Jets (6 DirectionalMax2 Jets), Seat D Jets (2 DirectionalMax1 Jets), Seat E Jets (4 DirectionalMax1 Jets, 2 DirectionalMax2 Jets), Seat F Jets (1 DirectionalMax1 Jet), Footwell Jets (2 DirectionalMax1 Jets)
- Jet Pump 1: All seats and footwell jets

30 Total Jets

DirectionalMax1
Jets (16)

DirectionalMax2
Jets (14)



Spa Operation Subject to Change without Notice

- A = 25.75" (65.40 cm)
- B = 24.50" (62.23 cm)
- C = 28.00" (71.12 cm)
- D = 24.75" (62.86 cm)
- E = 26.50" (67.30 cm)
- F = 23.25" (59.06 cm)
- G = 19.00" (48.26 cm)
- H = 34.50" (87.63 cm)

Seat Depths

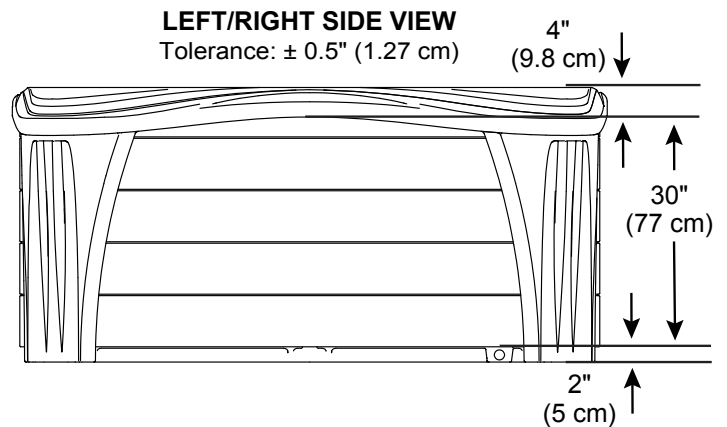
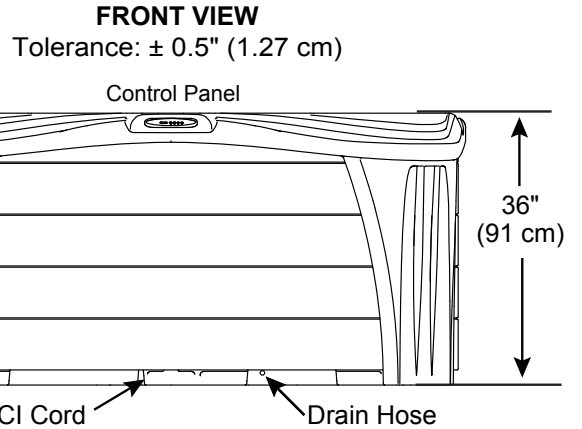
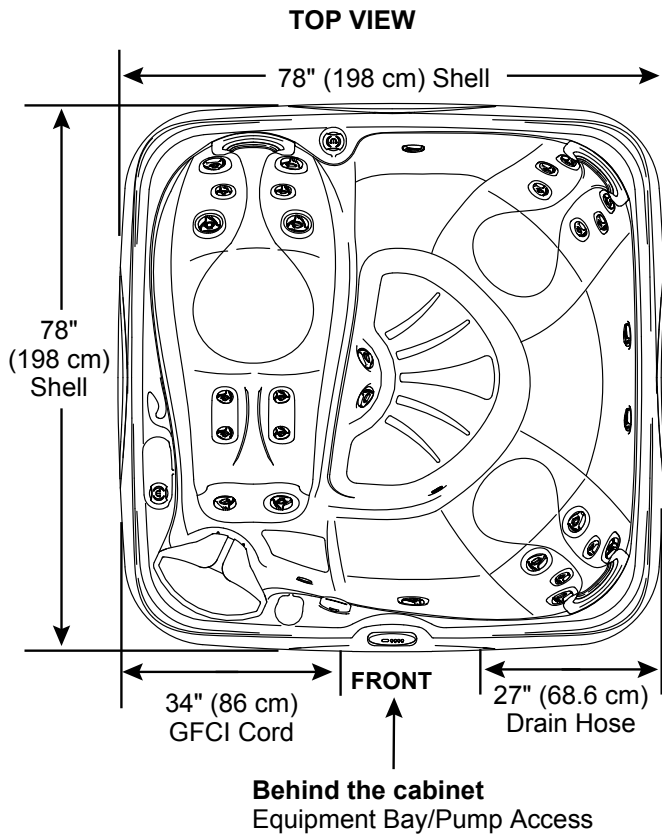
Listed dimensions represent distance from top of spa to lowest point in seat.
Tolerance: ± 0.5" (1.27 cm)



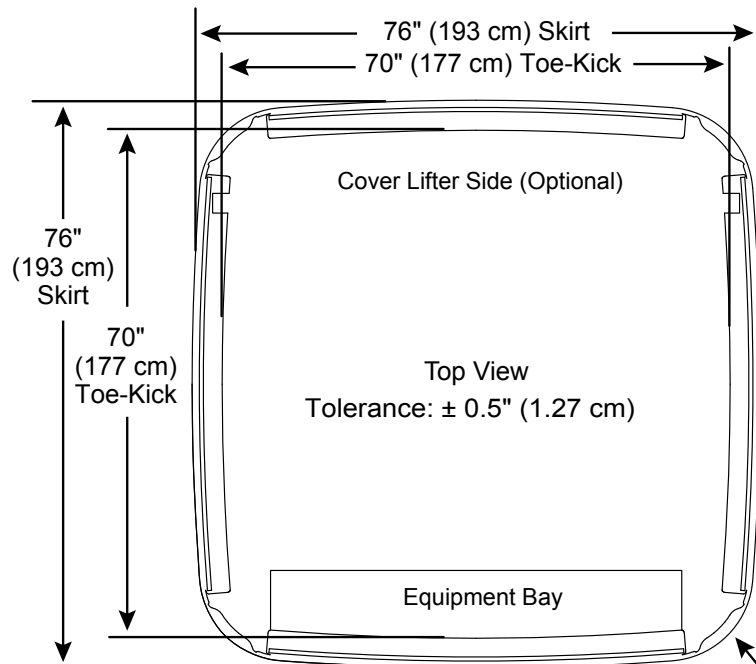
Dimensions/Specifications are Subject to Change Without Notice

Soul 30 Jets

Dimensions



IMPORTANT! Always measure each hot tub for exact dimensions BEFORE designing its foundational support and/or decking.




4 x $\approx R12.0"$
($\approx R30.5$ cm) Shell

Dimensions/specifications subject to change without notice. Tolerance $\pm 0.5"$ (1.27 cm)

Echo 30™ Jets

Specifications

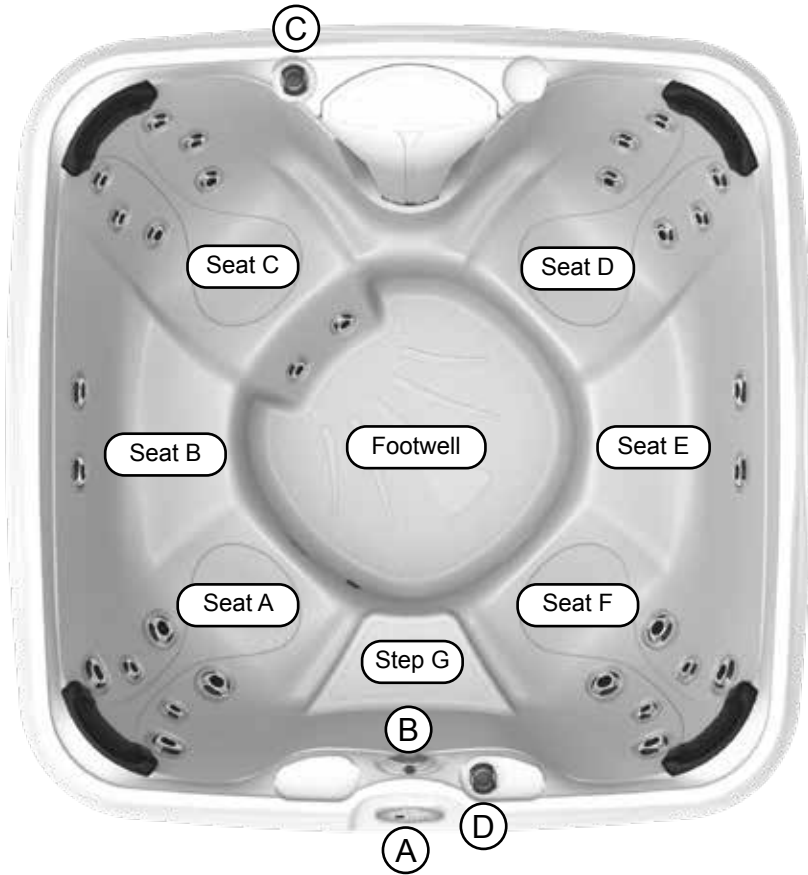
Seating Capacity	7 Adults	
Dimensions	78" x 78" x 36" (198 cm x 198 cm x 91 cm);	
Dry Weight	414 lbs (187 kg)	
Filled Weight (Spa Volume)	4,117 lbs (1,867 kg)	
Filled Weight (Average Fill)	3,150 lbs (1,429 kg)	
Water Capacity (Spa Volume) ...	444 US gallons (1,681 Liters)	
Water Capacity (Average Fill) ...	328 US gallons (1,242 Liters)	
Electronic Controls	Digital Touch Controller. Offers customizing of cleaning cycles and water temperature setting.	
Pump 1	North America (60 Hz): 2-Speed, 2.0 HP	
Export (50 Hz):	2-Speed, 1.5 HP	
Pump 2	N/A	
Export (50 Hz):	N/A	
Circulation Pump	N/A	
Total Jets	30	
Seat A Jets	4 DirectionalMax1 Jets, 2 DirectionalMax2 Jets	
Seat B Jets	2 DirectionalMax1 Jets	
Seat C Jets	8 DirectionalMax2 Jets	
Seat D Jets	6 DirectionalMax2 Jets	
Seat E Jets	2 DirectionalMax1 Jets	
Seat F Jets	4 DirectionalMax1 Jets, 2 DirectionalMax2 Jets	
Massage Selectors	N/A	
Air Controls	2	
Water Management System	One Easy Kleen 30 ft ² filter cartridge; Optional factory installed Ozone	
Export (50 Hz):	Optional factory installed Ozone	
LED Lighting	Multicolor waterfall light; Exterior corner light (white color only)	
Shell/Cabinet Colors	Mystic Sparkle and Glacier Sparkle	
Headrests	4	
Waterfalls	One with independent flow rate (on or off) adjustment; powered by pump 1	
Heater:	Hi Flow 1.0kW/4kW	
Export (50 Hz):	Hi Flow 3.0kW	
Electrical Requirements:	North America (60 Hz): Convertible 120 VAC@15A or 240V 30A/40A	
	Export (50 Hz): 220-240V@1x16A, 1X32A	
Warranty*	North America (60 Hz): 5 Years Shell, 1 Year Plumbing Components, 1 Year Electrical Components, 1 Year Insulating Cover, 1 Year Labor;	
	Export (50 Hz): 5 Years Shell, 2 Years Plumbing Components, 2 Years Electrical Components, 2 Years Insulating Cover, 2 Years Labor;	
Special Features	N/A	

*(See Warranty Document for Specific Details)

Dimensions/Specifications are Subject to Change Without Notice

Echo 30 Jets

Operation/Seat Depths



- Ⓐ Topside Control - Activate Jet Pump, Light and Control Water Temperature
 - Ⓑ Water Feature Control - Controls Water Feature Output.
 - Ⓒ Air Control - Activates Seat A Jets (4 DirectionalMax1 Jets, 2 DirectionalMax2 Jets), Seat B Jets (2 DirectionalMax1 Jets), Seat C Jets (8 DirectionalMax2 Jets)
 - Ⓓ Air Control - Activates Seat D Jets (6 DirectionalMax2 Jets), Seat E Jets (2 DirectionalMax1 Jets), Seat F Jets (4 DirectionalMax1 Jets, 2 DirectionalMax2 Jets)
- Jet Pump 1: All seats and footwell jets

30 Total Jets

DirectionalMax1
Jets (12)

DirectionalMax2
Jets (18)



Spa Operation Subject to Change without Notice

- A = 26.50" (67.30 cm)
- B = 24.75" (62.86 cm)
- C = 28.00" (71.12 cm)
- D = 28.00" (71.12 cm)
- E = 24.75" (62.86 cm)
- F = 26.50" (67.30 cm)
- G = 20.00" (50.80 cm)
- H = 34.50" (87.63 cm)

Seat Depths

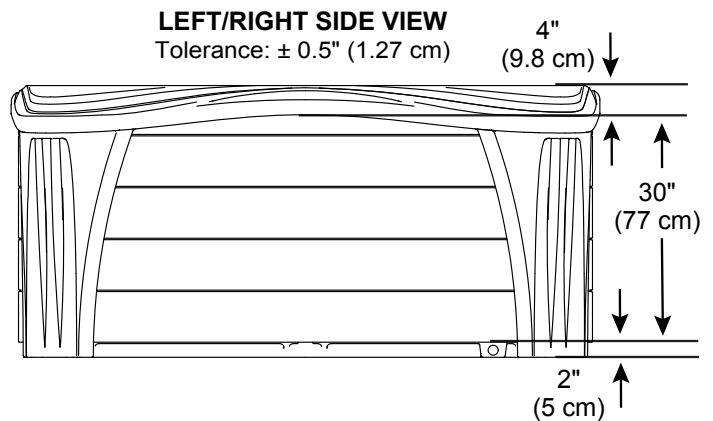
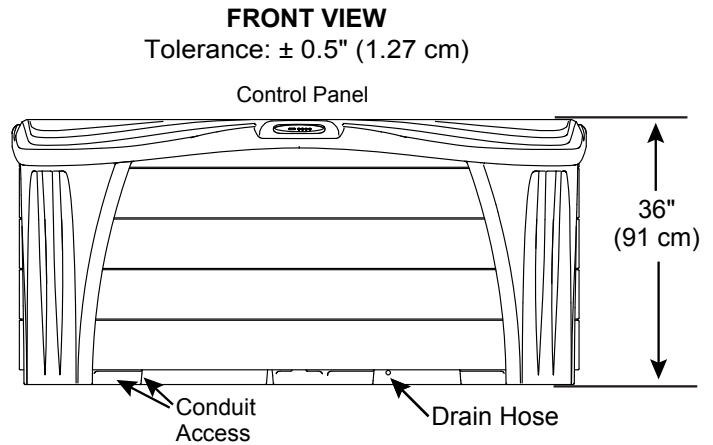
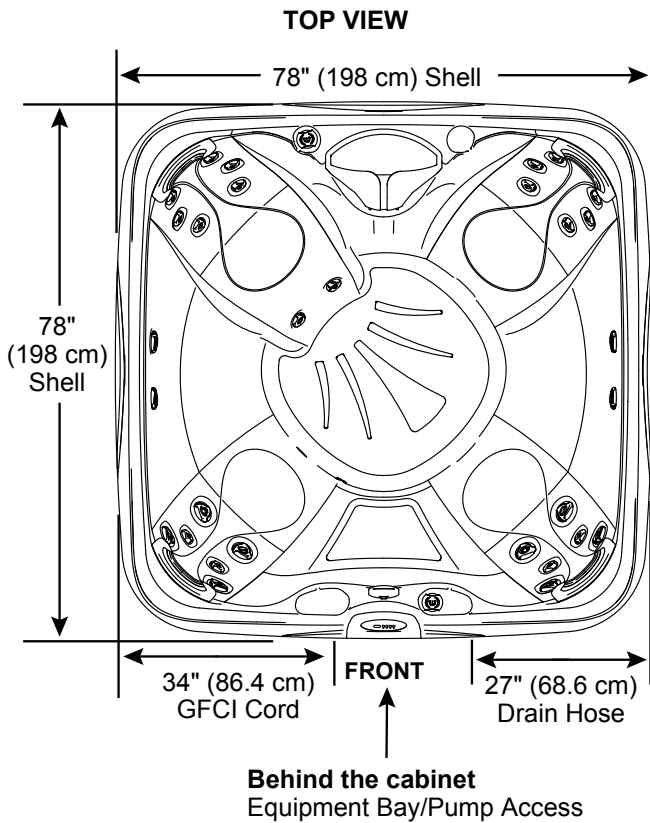
Listed dimensions represent distance from top of spa to lowest point in seat.
Tolerance: ± 0.5" (1.27 cm)



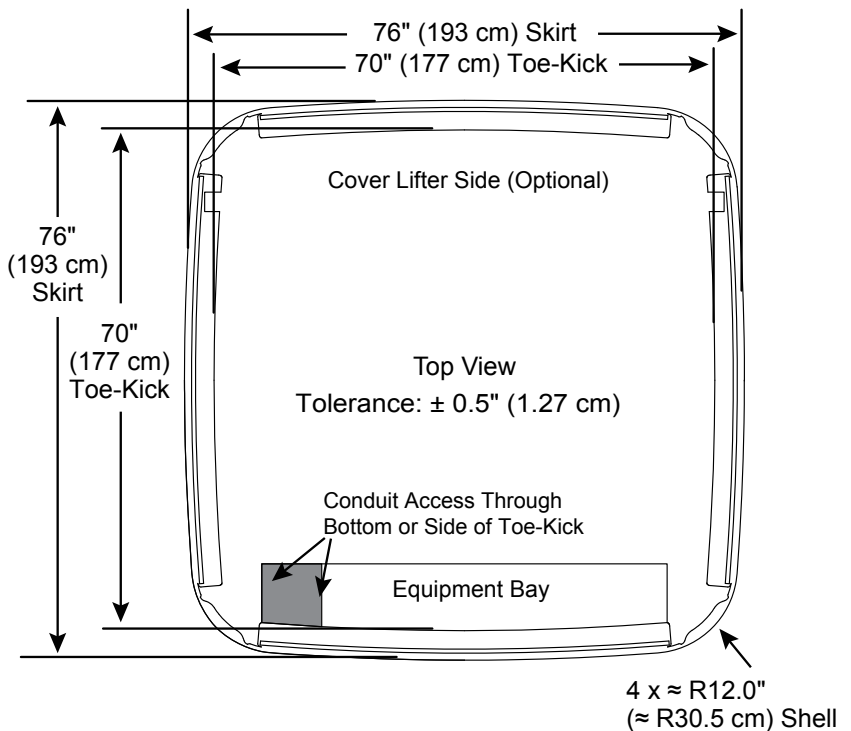
Dimensions/Specifications are Subject to Change Without Notice

Echo 30 Jets

Dimensions



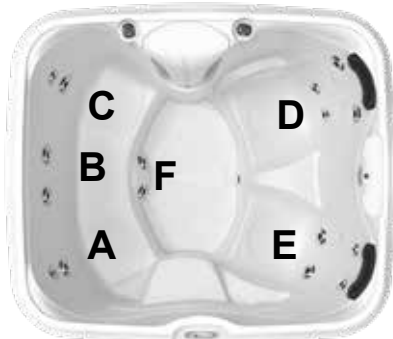
IMPORTANT! Always measure each hot tub for exact dimensions BEFORE designing its foundational support and/or decking.



Dimensions/specifications subject to change without notice. Tolerance $\pm 0.5"$ (1.27 cm)

Mood 20™ Jets

Specifications

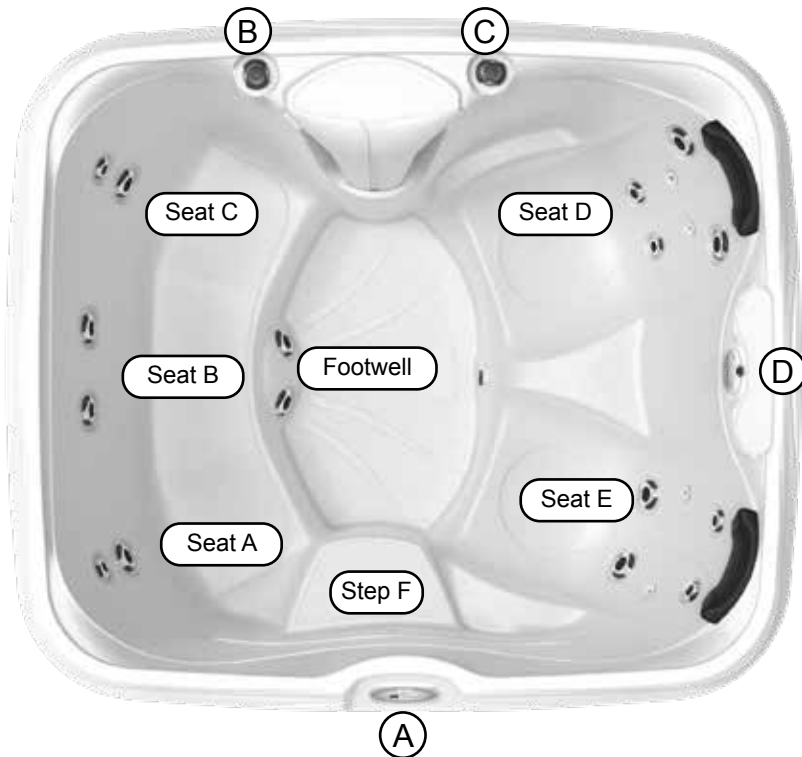
Seating Capacity	5 Adults	
Dimensions	78" x 68" x 32" (198 cm x 173 cm x 81 cm);	
Dry Weight	285 lbs (129 kg)	
Filled Weight (Spa Volume)	3,120 lbs (1,415 kg)	
Filled Weight (Average Fill)	2,404 lbs (1,090 kg)	
Water Capacity (Spa Volume) ...	340 US gallons (1,287 Liters)	
Water Capacity (Average Fill) ...	254 US gallons (961 Liters)	
Electronic Controls	Digital Touch Controller. Offers customizing of cleaning cycles and water temperature setting.	
Pump 1	North America (60 Hz): 2-Speed, 2.0 HP	
Export (50 Hz):	2-Speed, 1.5 HP	
Pump 2	N/A	
Export (50 Hz):	N/A	
Circulation Pump	N/A	
Total Jets	20	
Seat A Jets	1 DirectionalMax1, 1 DirectionalMax2	
Seat B Jets	2 DirectionalMax1	
Seat C Jets	1 DirectionalMax1, 1 DirectionalMax2	
Seat D Jets	2 DirectionalMax1, 2 DirectionalMax2, 2 DirectMiniMax	
Seat E Jets	2 DirectionalMax1, 2 DirectionalMax2, 2 DirectMiniMax	
Footwell (F) Jets	2 DirectionalMax1	
Massage Selectors	N/A	
Air Controls	2	
Water Management System	One Easy Kleen 30 ft ² filter cartridge; Optional factory installed Ozone	
Export (50 Hz):	Optional factory installed Ozone	
LED Lighting	Multicolor Waterfall light; Footwell light, Exterior corner lights (8 qty)	
Shell/Cabinet Colors	Mystic Sparkle and Glacier Sparkle	
Headrests	2	
Waterfalls	One with independent flow rate (on or off) adjustment; powered by pump 1	
Heater:	Hi Flow 1.0kW/4kW	
Export (50 Hz):	Hi Flow 3.0kW	
Electrical Requirements:	North America (60 Hz): Convertible 120 VAC@15A or 240 VAC@30A, 40A	
	Export (50 Hz): 220-240V@1x16A, 1X32A	
Warranty*	North America (60 Hz): 5 Years Shell, 1 Year Plumbing Components, 1 Year Electrical Components, 1 Year Insulating Cover, 1 Year Labor;	
	Export (50 Hz): 5 Years Shell, 2 Years Plumbing Components, 2 Years Electrical Components, 2 Years Insulating Cover, 2 Years Labor;	
Special Features	Optional Suite Package Add-On	

*(See Warranty Document for Specific Details)

Dimensions/Specifications are Subject to Change Without Notice

Mood 20 Jets

Operation/Seat Depths



- (A) Topside Control - Activate Jets Pump, Light and Control Water Temperature
- (B) Air Control - Activates Seat A Jets (1 DirectionalMax1 Jet, 1 DirectionalMax2 Jet), Seat B Jets (2 DirectionalMax1 Jets), Seat C Jets (1 DirectionalMax1 Jet, 1 DirectionalMax2 Jet), Footwell Jets (2 DirectionalMax2 Jets)
- (C) Air Control - Activates Seat D Jets (2 DirectionalMax1 Jets, 2 DirectionalMax2 Jets, 2 DirectMiniMax Jets), Seat E Jets (2 DirectionalMax1 Jets, 2 DirectionalMax2 Jets, 2 DirectMiniMax Jets)
- (D) Water Feature Control - Controls Water Feature Output.

- Jet Pump 1: All seats and footwell jets

20 Total Jets

DirectionalMax1
Jets (10)

DirectionalMax2
Jets (6)

DirectMiniMax
Jets (4)



Spa Operation Subject to Change without Notice

- A = 26.50" (67.31 cm)
- B = 26.25" (66.68 cm)
- C = 26.50" (67.31 cm)
- D = 26.25" (66.68 cm)
- E = 28.30" (71.87 cm)
- F = 18.00" (45.72 cm)
- G = 30.50" (77.47 cm)

Seat Depths

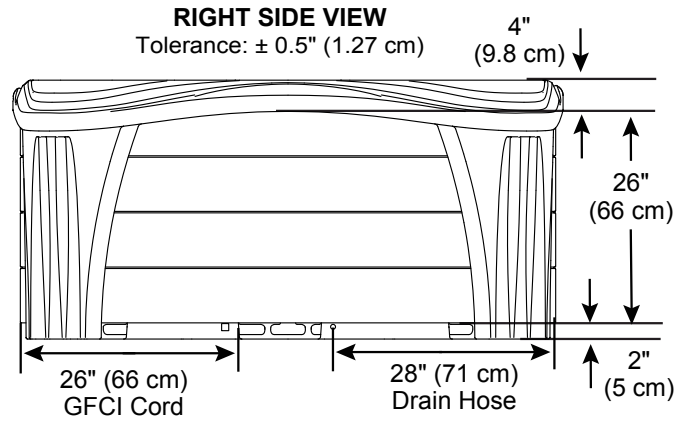
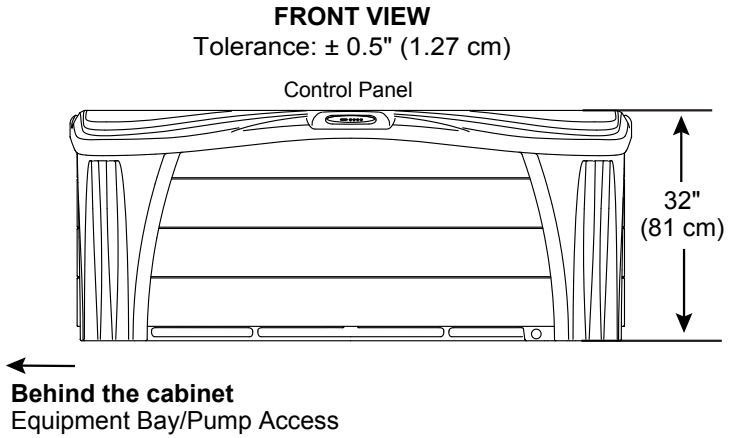
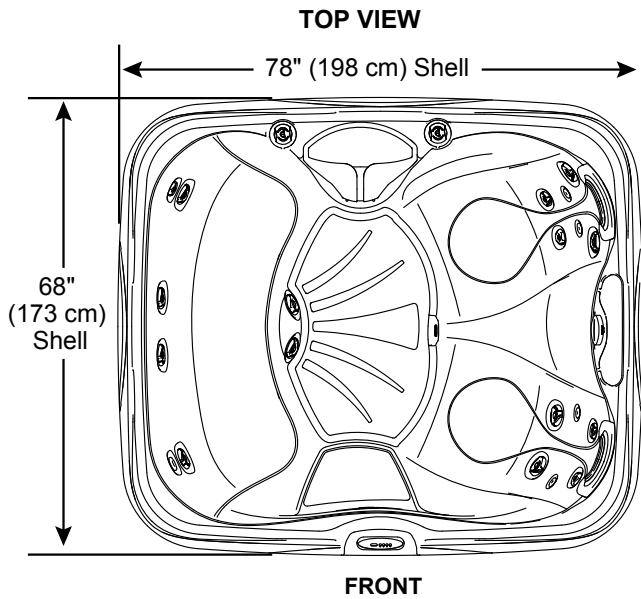
Listed dimensions represent distance from top of spa to lowest point in seat.
Tolerance: $\pm 0.5"$ (1.27 cm)



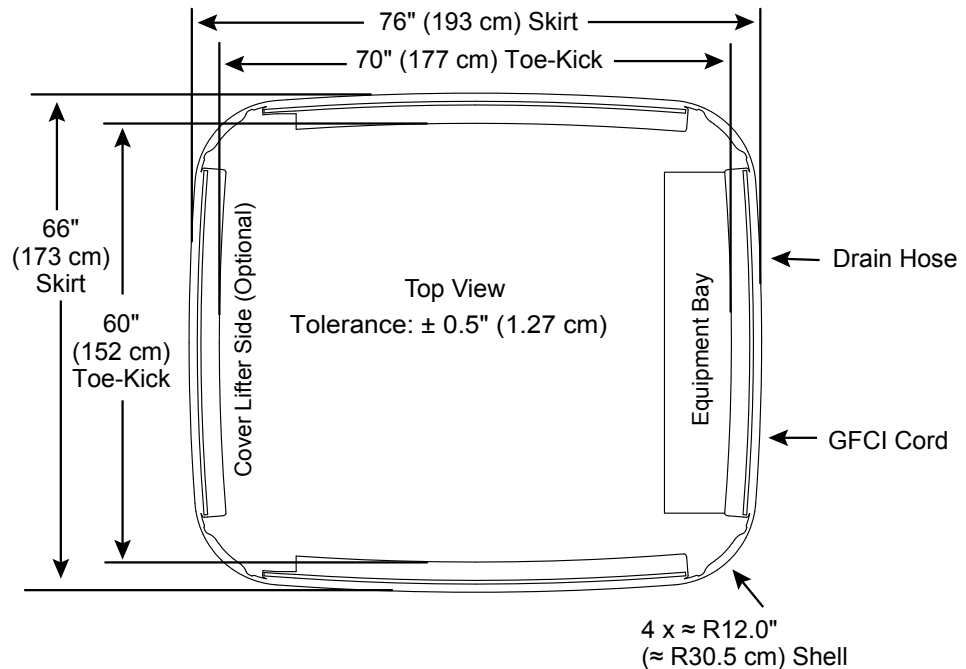
Dimensions/Specifications are Subject to Change Without Notice

Mood 20 Jets

Dimensions




IMPORTANT! Always measure each hot tub for exact dimensions BEFORE designing its foundational support and/or decking.

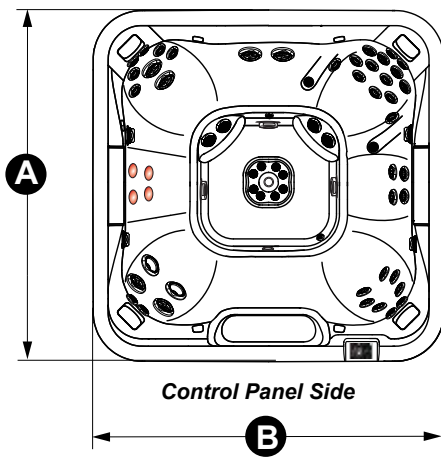


Dimensions/specifications subject to change without notice. Tolerance $\pm 0.5"$ (1.27 cm)

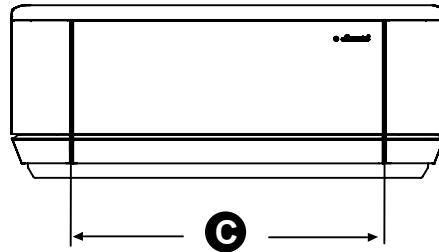
Complete Dimensions- J5™ Collection Models

Spa Models	DIMENSIONS A-F (All measurements are an approximate ± .5")					
	A	B	C	D	E	F
J509	110" (280 cm)	94" (239 cm)	74.56" (189.38 cm)	34" (86.36 cm)	37" (93.98 cm)	R12 (R30.48 cm)
J508L	94" (239 cm)					
J508						
Spa Models	Drain	True Water Air Filter	 IMPORTANT! Always measure each hot tub for exact dimensions BEFORE designing its foundation support and/or decking.			
J509	Front Right	Front Right				
J508L						
J508						

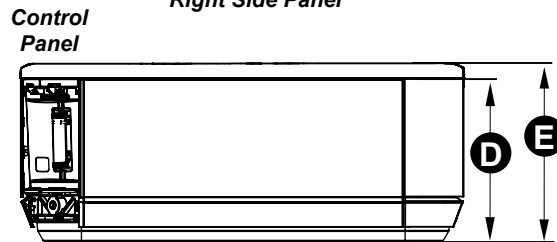
Spa Top View (J508 Illustrated)



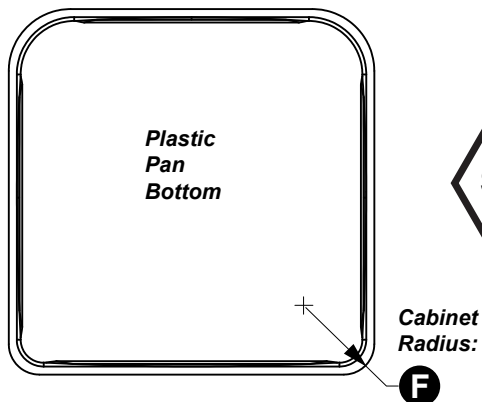
Control Panel Side View (Front)



Side View (J508 Illustrated) (Right Side Panel)



Spa Bottom View (J508 Illustrated)



IMPORTANT! Always measure each hot tub for exact dimensions BEFORE designing its foundational support and/or decking.

Note: Gaps in underlying wood frame are for ventilation purposes; not for electrical hook-ups or other uses.

Complete Dimensions - J4™ Collection Models

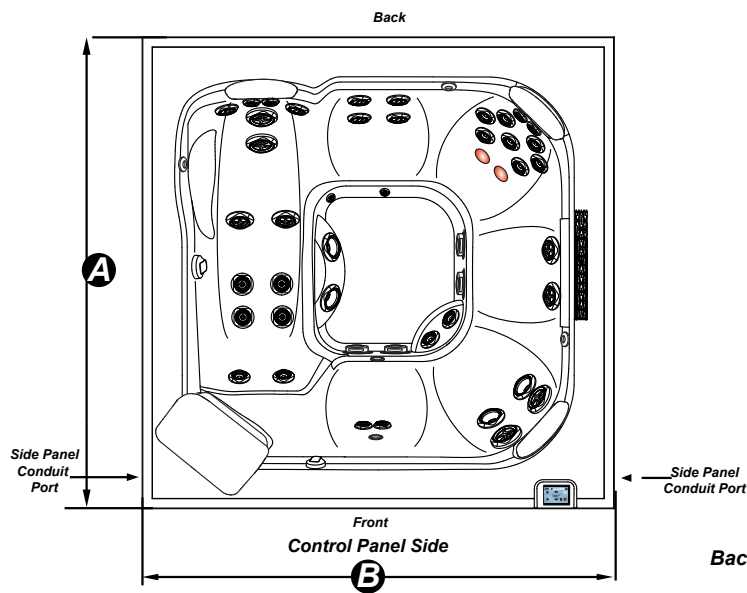
Spa Models	DIMENSIONS A-F (All measurements are an approximate)					
	A	B	C	D	E	F
J408L	89" (226.06 cm)	89" (226.06 cm)	31.50" (80.0 cm)	34" (86.0 cm)	Front Right	85.63" (217.5 cm)
J408						
J404L	84" (213.50 cm)	69" (175.26 cm)	30.50" (77.47 cm)	33" (83.82 cm)	Inside Equipment Bay	65.50" (166.37 cm)



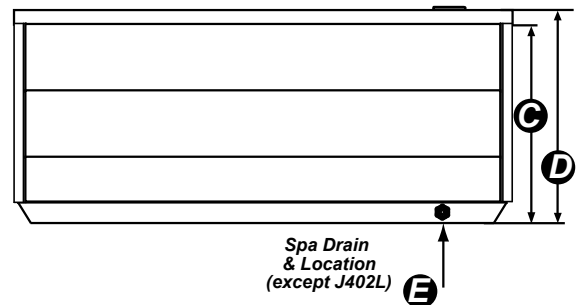
IMPORTANT! Always measure each hot tub for exact dimensions BEFORE designing its foundation support and/or decking.

- Dimensions Subject to Change Without Notice -

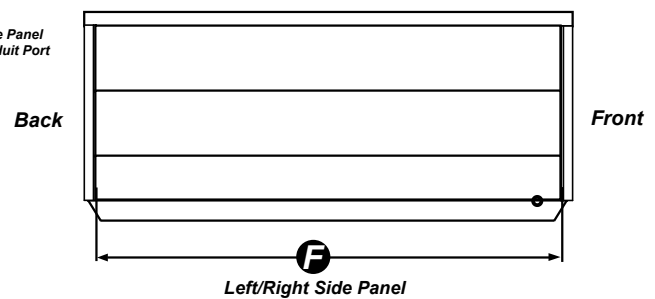
Spa Top View (J408L Illustrated)



Control Panel Side View



Left/Right Side View (All Models)




IMPORTANT! Always measure each hot tub for exact dimensions BEFORE designing its foundational support and/or decking.

Note: Gaps in underlying wood frame are for ventilation purposes; not for electrical hook-ups or other uses.

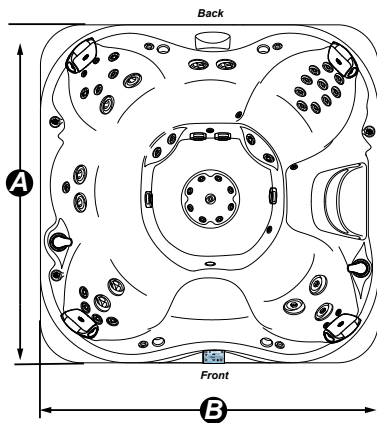
Complete Dimensions - J300 Collection Models

Spa Models	DIMENSIONS A-F (All measurements are an approximate)					
	A	B	C	D	E	F
J-385	91" (231.1 cm)	91" (231.1 cm)	66.75" (169.55 cm)	26" (66.04 cm)	32" (81.28 cm)	37.50" (95.25 cm)
J-375			66.50" (168.91 cm)			
J-365		84" (213.4 cm)	84" (213.4 cm)			
J-355	60.0" (152.40 cm)					
J-345	76" (193 cm)		52.5" (133.35 cm)	21.5" (54.61 cm)	28" (71.12 cm)	33.50" (85.09 cm)
J-335						
J-325	66" (167.6 cm)	52.0" (132.08 cm)	21.5" (54.61 cm)	26.25" (66.68 cm)	31.75" (80.65 cm)	
J-315						52.0" (132.08 cm)

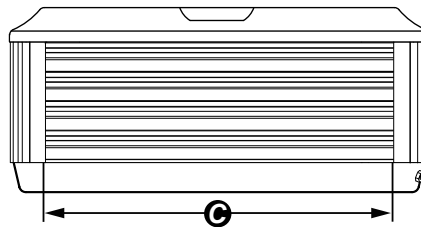
DIMENSIONS G-I (All measurements are an approximate)	
CLEARARRAY®	 IMPORTANT! Always measure each hot tub for exact dimensions BEFORE designing its foundation support and/or decking.
J-385	
J-375	
J-365	
J-355	
J-345	
J-335	
J-325	
J-315	

- Dimensions Subject to Change Without Notice -

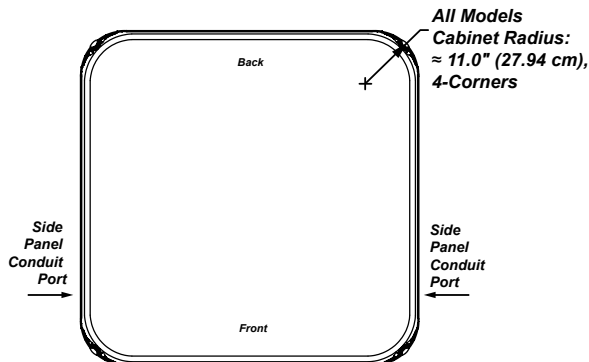
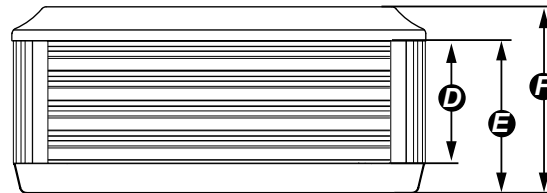
Spa Top View (J-385 Illustrated)



Control Panel Side View (All Models)




Rear Side View (All Models)

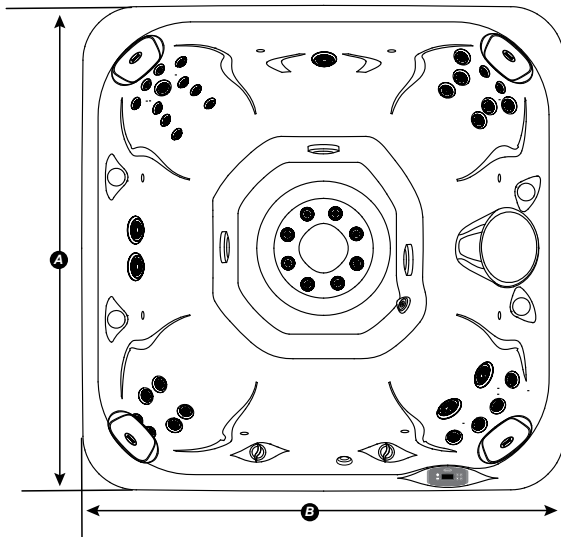


Note: Gaps in underlying wood frame are for ventilation purposes; not for electrical hook-ups or other uses.

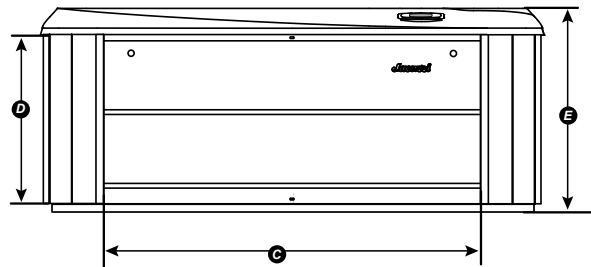
Complete Dimensions-All J200 Collection Models

Spa Models	DIMENSIONS A-G (ALL MEASUREMENTS ARE AN APPROXIMATE)					
	A	B	C	D	E	F
J-215	69" (176 cm)	80" (204 cm)	60" (152.4 cm)	27" (68.6 cm)	33" (84 cm)	49" (124.46 cm)
J-225	80" (204 cm)	80" (204 cm)	57.5" (146.05 cm)	27" (68.6 cm)	33" (84 cm)	57.5" (146.05 cm)
J-235	84" (214 cm)	84" (214 cm)	62" (157.48 cm)	30" (76.2 cm)	36" (92 cm)	62" (157.48 cm)
J-245	84" (214 cm)	84" (214 cm)	62" (157.48 cm)	30" (76.2 cm)	36" (92 cm)	62" (157.48 cm)
J-285	89" (227 cm)	89" (227 cm)	66.75" (169.55 cm)	30" (76.2 cm)	36" (92 cm)	66.75" (169.55 cm)
DIMENSIONS H-I (ALL MEASUREMENTS ARE AN APPROXIMATE)						
	ClearRay®	Drain	 IMPORTANT! Always measure each hot tub for exact dimensions BEFORE designing its foundation support and/or decking.			
J-215	Center	Right				
J-225						
J-235						
J-245						
J-285						
- Dimensions Subject to Change Without Notice -						

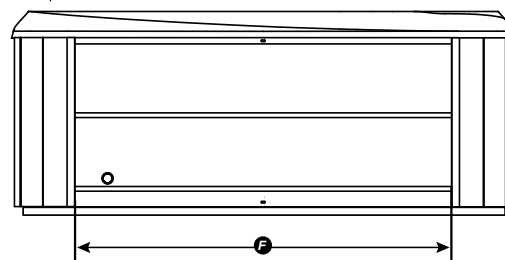
Spa Top View (J-285 Illustrated)



Control Panel Side View



Control Panel
Left/Right Side View (All Models)



IMPORTANT! Always measure each hot tub for exact dimensions BEFORE designing its foundational support and/or decking.

Note: Gaps in underlying wood frame are for ventilation purposes; not for electrical hook-ups or other uses.

Your Jacuzzi Hot Tub Dealer is:

