

Customer Name _____

Date _____

Spa Model _____

Dimensions _____ X _____ X _____

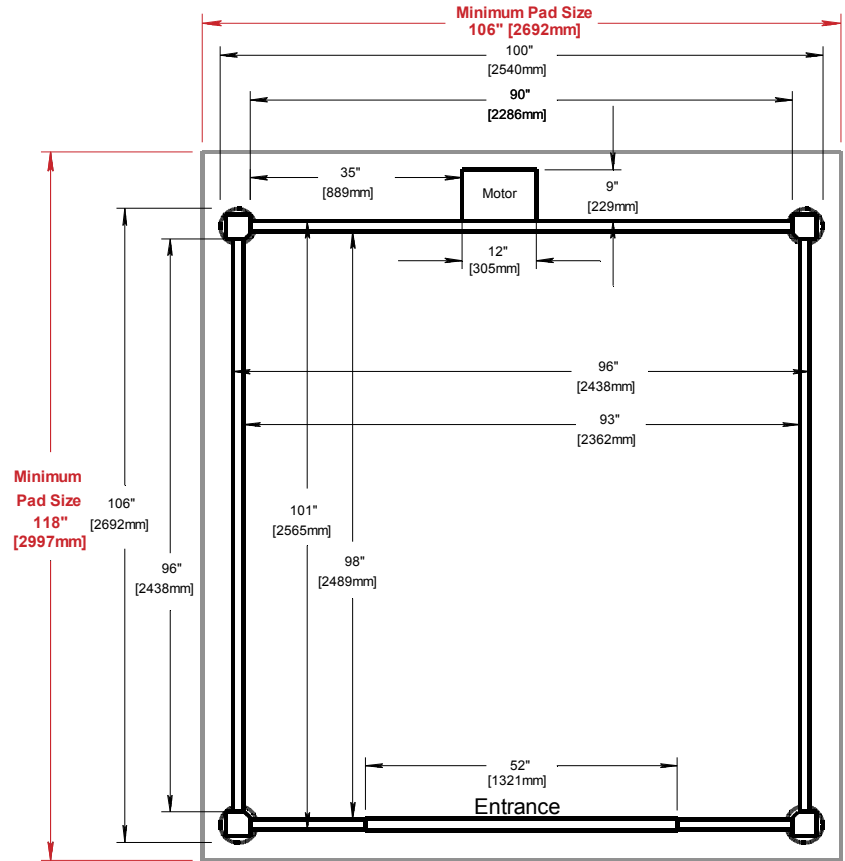
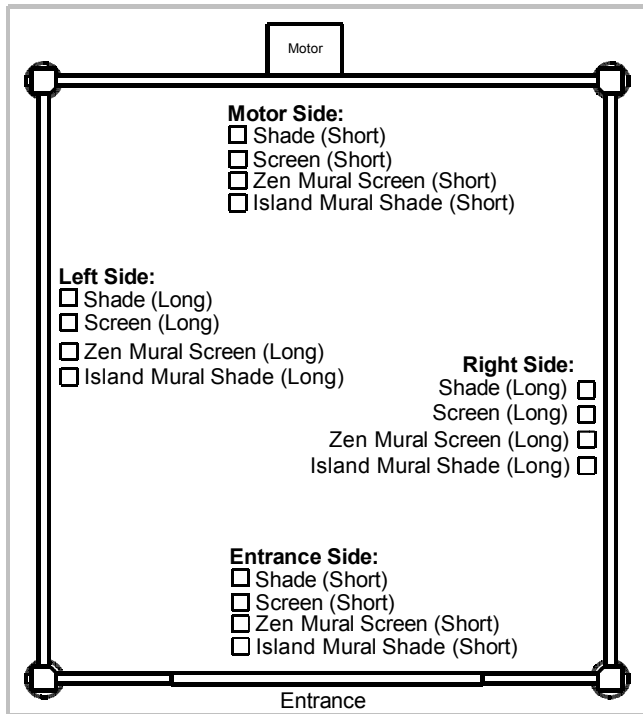
Spa height must be a minimum 34"

Color:
 Mocha
 Slate

Lights:
 With Lights
 Without Lights
Note: Lights cannot be added later

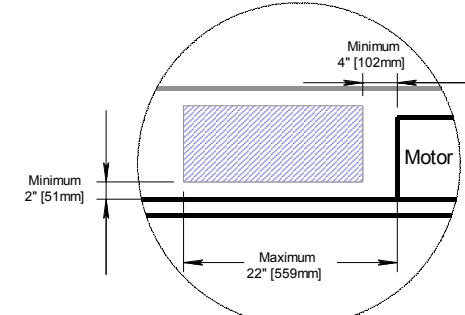
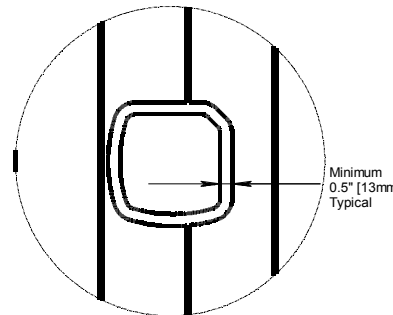
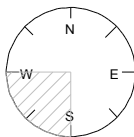
COVANA

Product Selection & Foot Print



Instructions for Installation:

1. Indicate with an **X** in the drawing to the right the location of your spa control panel.
2. Installation will be recessed into a deck.
Y N
3. Solar panel to be located in SOUTHWEST corner of Covana.



Customer Approval X _____

Required Post to Deck Clearance Electrical Conduit Location (Typical)